

# Oster®



MODEL/MODÈLE  
MODELO

**BVSTEM4188**

INSTRUCTION MANUAL  
**STEAM ESPRESSO/ CAPPUCCINO MAKER**  
READ ALL INSTRUCTIONS BEFORE USING THIS APPLIANCE

MANUEL D'INSTRUCTIONS  
**MACHINE A EXPRESSO/CAPPUCCINO AVEC BUSE VAPEUR**  
LIRE TOUTES LES INSTRUCTIONS AVANT D' UTILISER CET APPAREIL

MANUAL DE INSTRUCCIONES  
**CAFETERA DE VAPOR PARA ESPRESSO Y CAPPUCCINO**  
LEA TODAS LAS INSTRUCCIONES ANTES DE USAR ESTE APARATO

MANUAL DE INSTRUÇÕES  
**CAFETEIRA A VAPOR PARA EXPRESSO E CAPPUCCINO**  
LEIA TODAS AS INSTRUÇÕES ANTES DE USAR ESTE APARELHO

# IMPORTANT SAFEGUARDS

When using electrical appliances, basic safety precautions should always be followed to reduce the risk of fire, electric shock and/or injury to persons, including the following:

1. **READ ALL INSTRUCTIONS BEFORE USING THE APPLIANCE.**
2. **DO NOT** touch hot surfaces. Use handles or knobs.
3. To protect against electric shock, **DO NOT** immerse cord, plugs or appliance in water or other liquids.
4. Turn control knob to the off position “O” and unplug from electrical outlet when not in use and before cleaning. Allow to cool before putting on or taking off parts and before cleaning the appliance.
5. **DO NOT** operate any appliance with a damaged cord or plug or after the appliance malfunctions or has been damaged in any manner. Return this appliance only to the nearest Authorized Oster® Service Center for examination, repair or adjustment.
6. The use of accessory attachments not recommended by the manufacturer may cause hazards or injuries.
7. **DO NOT** use outdoors or for commercial purposes.
8. **DO NOT** let cord hang over edge of table or countertop or touch hot surfaces.
9. **DO NOT** place this appliance on or near a hot gas or electric burner or in a heated oven.
10. **DO NOT** use appliance for anything other than its intended use.
11. Use on a hard, flat level surface only, to avoid interruption of air flow underneath the appliance.
12. Always be sure water reservoir cap is tightened securely before turning appliance on.
13. **DO NOT** remove reservoir cap or brew head until pressure is completely relieved. Refer to the section “CAUTION: PRESSURE” for additional information.
14. This appliance is not intended for use by persons (including children) with reduced physical, sensory or mental capabilities, or lack of experience and knowledge, unless they have been given supervision or instruction concerning use of the appliance by a person responsible for their safety. Children should be supervised to ensure that they do not play with the appliance.
15. Close supervision is necessary when any appliance is used by or near children, or incapacitated individuals.
16. This appliance is not intended to be operated by means of an external timer or separate remote-control system.
17. This appliance is intended to be used in household and similar applications such as: staff kitchen areas in shops, offices and other working environments farm houses by clients in hotels, motels and other residential type environments bed and breakfast type environments.

**THIS UNIT IS FOR HOUSEHOLD USE ONLY.**

# SAVE THESE INSTRUCTIONS

## (FOR 120 V & 127 V WITH TWO FLAT PIN PLUG ONLY)

To reduce the risk of electrical shock, this appliance has a polarized plug (one blade is wider than the other). This plug fits a polarized outlet only one way. This is a safety feature intended to help reduce the risk of electrical shock. If the plug does not fit fully into the outlet, reverse the plug. If it still does not fit, contact a qualified electrician. Do not attempt to defeat this safety feature.

## CARAFE USE AND CARE

Breakage may occur if the following instructions are not followed:

- a. This carafe is designed for use with your Oster® Espresso/Cappuccino Maker and therefore must never be used on a range top or in any oven, INCLUDING A MICROWAVE.
- b. **DO NOT** set a hot carafe on a wet or cold surface.
- c. **DO NOT** use a cracked carafe or a carafe with a loose or weakened handle.
- d. **DO NOT** clean the carafe with cleansers, steel wool pads or other abrasive materials.
- e. Discard carafe immediately if it is ever boiled dry.
- f. Avoid sharp blows, scratches or rough handling.

**WARNING:** To reduce the risk of fire or electric shock, do not remove any service covers. No user serviceable parts inside. Repair should be done by authorized personnel only. Opening the bottom service cover will void the warranty.

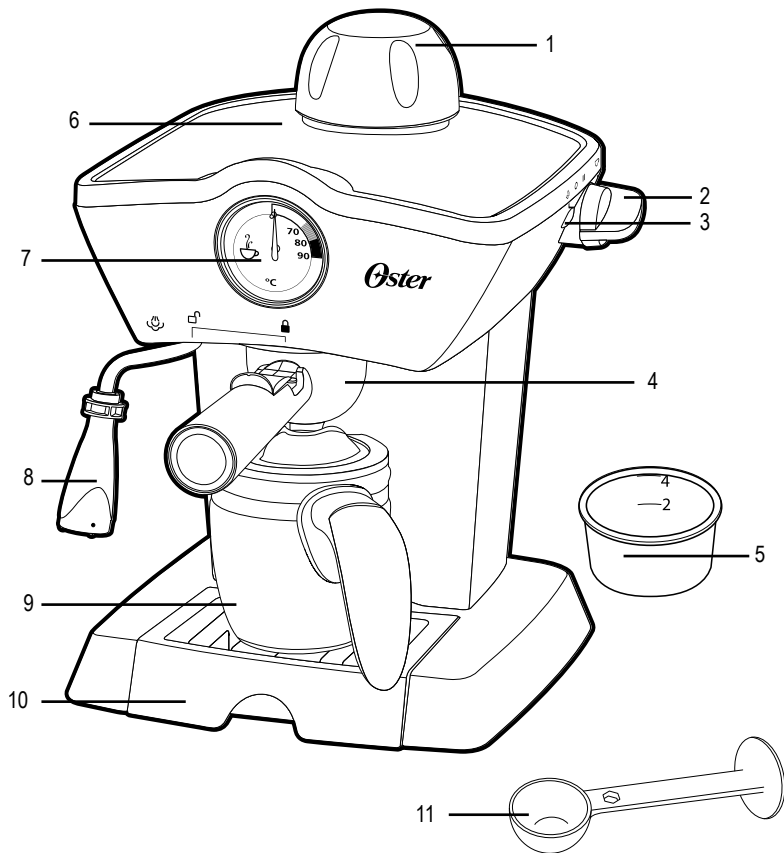
## SPECIAL CORD SET INSTRUCTIONS

1. A short power supply cord is provided to reduce the hazards resulting from becoming entangled in or tripping over a longer cord.
2. An extension cord may be purchased and used if care is exercised in its use.
3. If an extension cord is used, the marked electrical rating of the extension cord must be the same or higher than that of the product. The resulting extended cord must be arranged so that it will not drape over the counter top or table top where it can be pulled on by children or tripped over accidentally.

## CAUTION: PRESSURE

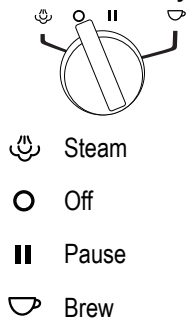
In order to avoid possible burns to body parts and/or other injury from hot steam and water, NEVER open the reservoir cap or brew head while your Oster® Espresso/Cappuccino Maker is turned on or as long as there is pressure in the water reservoir. See Page 4 for more important details.

# DESCRIPTION OF THE APPLIANCE



- |                        |                         |
|------------------------|-------------------------|
| 1. Water Reservoir Cap | 7. Temperature Gauge    |
| 2. Control Knob        | 8. Frothing Aid         |
| 3. Indicator Light     | 9. Glass Carafe         |
| 4. Brew Head           | 10. Removable Drip Tray |
| 5. Filter              | 11. Measuring Scoop     |
| 6. Water Reservoir     |                         |

## Control Knob Key:



# INTRODUCTION

Congratulations! You have selected a quality Oster® Espresso/Cappuccino Maker. This unique appliance has been designed to provide you with delicious espresso/cappuccino quickly and conveniently.

Espresso is a unique method of coffee brewing in which hot water is forced through finely ground coffee. Popular in Europe, it is a far richer and more full-bodied brew than regular drip coffee. Because of its richness, espresso is usually served in 44 to 59 mL (1.5 to 2 oz.) portions, in demitasse cups.

Most espresso drinkers outside of Europe prefer cappuccino, a drink made with about one-third espresso, one third steamed milk, and one-third frothed milk. Preparing espresso or cappuccino is very different from brewing regular drip coffee in that this appliance operates under pressure and requires special attention.

Please read ALL of the instructions, cautions, notes and attentions in this Instruction Manual carefully before you begin to use this appliance. When this unit is used, it creates a vacuum as it cools. It is very important for this unit to cool down approximately 15 minutes after each brew cycle in order for the vacuum to be released and the cap and brew head to safely be removed. Proper care and maintenance will ensure the long life of the Oster® Espresso/Cappuccino Maker and its trouble-free operation. Save these instructions and refer to them often for cleaning and care tips.

## CAUTION: PRESSURE

In order to check if the appliance is under pressure, follow these steps:

1. Turn the control knob to the off position “○” and unplug the appliance.
2. Rotate the control knob to the Steam position “☁”. If steam comes out of the frothing tube, then the water reservoir is still under pressure. Turn the control knob to the off position “○”.
3. To release the pressure, hold a pitcher with water under the frothing tube and immerse the frothing aid in the water. SLOWLY TURN THE CONTROL KNOB TO THE STEAM POSITION “☁” AND RELEASE THE STEAM.
4. When the frothing tube stops releasing steam, turn to the off position “○” and slowly remove the cap.
5. Do not remove the brew head at any time during the brewing process or until pressure is relieved.
6. Use caution when removing the brew head. The metal parts may still be very hot. Also, there may be hot water floating on the top of the filter.
7. If coffee does not drip from the filter, the brew head is blocked. Allow the appliance to cool down, and then release the steam with the instructions above. The blockage may be caused by too finely ground coffee. See “PROBLEMS AND CAUSES” section.
8. WHEN CLEANING THE FROTHING AID: Place a frothing pitcher or large cup with at least 325 mL (11 oz.) capacity half full of water under the frothing aid. Make sure the tip of the frothing tube is submerged in liquid before turning the control knob to the steam “☁” position. Froth the water for approximately 15 seconds.

**NOTE:** In order for your unit to work properly time after time, clean the frothing aid after each use.

# HOW TO PREPARE QUALITY ESPRESSO AND CAPPUCCINO AT HOME

## THE COFFEE

The coffee should be freshly ground, dark roasted variety. You may want to try a French or Italian roast. Pre-ground coffee will only retain its flavor for 7 – 8 days, provided it is stored in an air-tight container, in a cool, dark area. Do not store in a refrigerator or freezer. Whole beans are recommended, to be ground just before use. Coffee beans stored in an air-tight container will keep up to 4 weeks before they begin to lose their flavor.

## THE GRIND

This is a vital step in the espresso making process and takes practice. The coffee must be of a fine grind.

- The correct grind should look like salt.
- If the grind is too fine, the water will not flow through the coffee even under pressure. This grind looks like powder and feels like flour when rubbed between fingers.
- If the grind is too coarse, the water flows through the coffee too fast, preventing a full-flavored extraction.

Be sure to use a quality grinder for uniform consistency in your espresso grind. Oval shaped coffee grinders are not recommended because the grind is not consistent.

## BEFORE BREWING YOUR FIRST CARAFE OF ESPRESSO

Please refer to the “Description of the Appliance” section.

1. Turn the control knob to the off position “○” and make sure that the appliance is unplugged from the electrical outlet.
2. First remove and then wash the carafe, lid, filter and brew head in a mixture of mild detergent and water. Rinse each thoroughly and replace into the machine. See “How to Brew Espresso” below for instructions on removal and replacement of filter and brew head.
3. To clean the inside of the unit, follow steps for “How to Brew Espresso” below, using water only. Do not immerse the appliance in water or attempt to reach any internal parts of the appliance.

## HOW TO BREW ESPRESSO

1. Turn the control knob to the off position “○”.
2. Fill the glass carafe with cold water to the designated marking for the desired number of servings of espresso or cappuccino. Never use warm or hot water to fill the water reservoir. The following chart describes how much water to use for the desired amount of servings.

**NOTE:** One serving or shot of espresso equals 60 mL (2 ounces).

SERVINGS SIZE	FINE ESPRESSO GROUND COFFEE	WATER (COLD)
2 cups	2-cup marking on filter	2-cup mark on Glass Carafe
4 cups	4-cup marking on filter	4-cup mark on Glass Carafe

3. Remove the water reservoir cap and pour the water into the water reservoir. Be sure to accurately measure the amount of water needed. Do not fill to the top of the reservoir or there will not be enough area to generate steam.

**CAUTION:** Do not pour water into the tank while the appliance is on. Check to make sure the control knob is in the off position “○”.

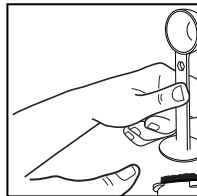
4. Screw the cap back on top of the water reservoir. Make sure it is on tight.

## PREPARING THE COFFEE

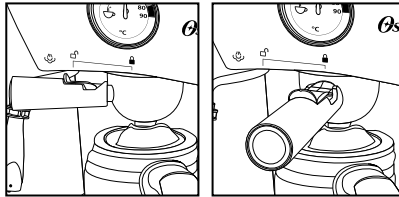
1. Place the filter in the brew head.

2. Fill with fresh, fine ground espresso coffee to the 2- or 4-cup mark of the filter. Do not fill above the 4-cup marking. Clean any excess coffee from the rim of the filter holder. This will assure proper fit under the brew head.

**ATTENTION:** Gently tamp or compress coffee. Do not overfill the filter head. This might cause clogging or overflow.



3. Position brew head underneath the brew head, attach brew head by first moving retainer clip back, position handle to far left until it fits into the groove. Then, slowly turn to right until brew head is located at locked position.



## BREWING ESPRESSO

**ATTENTION: IF YOU ARE PLANNING TO MAKE CAPPUCCINO, PLEASE REFER TO THE NEXT SECTION “HOW TO MAKE CAPPUCCINO.”**

1. Make sure the drip grid is in place on the drip tray.
2. Place the cover on the carafe so the lid opening faces the spout, and set it on the drip tray. The handle of the brew head and the handle of the decanter should be in alignment.
3. Make sure the control knob is in the off position “○”.
4. Plug the power cord into an electrical outlet and rotate the control knob clockwise to the “☪” symbol, to begin the brewing process. The light will illuminate to let you know that the unit is on.
5. Espresso will begin to flow into the carafe in about three to five minutes.

- When the espresso has stopped flowing into the carafe, turn the control knob to the off position “O”. Unplug the power cord and allow the unit to cool. Do not remove reservoir cap or brew head until the pressure in the appliance has been released. Follow procedures in the section marked “CAUTION: PRESSURE” on Page 4.

**CAUTION:** Do not remove reservoir cap or brew head at any time while the appliance is under pressure or until the appliance has cooled down. Follow the procedures marked “CAUTION: PRESSURE” on Page 4 to relieve the pressure before removing the reservoir cap or brew head.

- After the machine has cooled down and all pressure has been relieved, remove the brew head from the brew head. Using the retainer clip to secure the filter in the filter holder, turn the brew head upside down to empty. Rinse the filter and brew head with water.

**CAUTION:** The metal parts of the brew head might still be very hot. Make sure to use the filter retainer clip when discarding the grounds. Cool these parts by running under cold water.

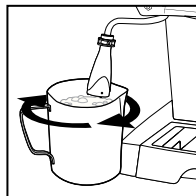
- For cleaning instructions refer to the “Cleaning and Maintenance” section.

## HOW TO MAKE CAPPUCCINO

Cappuccino is espresso topped with steamed and frothed milk. Frothing milk for cappuccino takes practice. Do not be discouraged if it is not perfect the first time. The milk should be half steamed (bottom of pitcher) and half froth (top of pitcher). It may take a few times before you perfect this process.

For best results, we recommend frothing the milk in a separate pitcher and pouring the milk into your coffee. The milk and pitcher should be cold. Do not use a pitcher which has just been washed in warm water. We also recommend a stainless steel frothing pitcher and a beverage thermometer, if you own one, for preparing the best froth and steamed milk.

- The first step in making cappuccino is to make espresso. Therefore, fill the glass carafe with cold water to the designated marking for the desired number of servings. Never use warm or hot water to fill the water reservoir. (See Chart from “How to Brew Espresso” section)
- Follow steps 1 – 5 in the “Brewing Espresso” section.
- Fill a small stainless steel or ceramic pitcher 1/2 full with cold milk and set next to the unit. Skim or 2% milk will be the easiest to froth.
- If making 2 servings, stop brewing espresso at the 2 cup mark. Turn the control knob to the pause position “||”. If making 4 servings, stop brewing espresso at the 4-cup mark. Turn the control knob to the pause position “||”.
- You are now ready to froth and steam your milk. Hold the pitcher under the frothing tube so that the frothing aid is slightly immersed in the milk. Turn the control knob slowly to “☺” the position. Gently move the pitcher in a circular motion around the steam nozzle for about 45 seconds. REMEMBER: The milk and the pitcher should be very cold prior to frothing.





6. When the milk has doubled in volume, or, if you are using a beverage thermometer, when the milk has reached 38°C (100°F), insert the frothing aid deeper into the milk to further heat the milk. Do not heat milk above 65°C (150°F). To avoid splattering of hot milk, do not let the frothing aid go above the surface of the milk. After frothing is completed, turn the control knob back to the off position “○”.
7. You are now ready to make cappuccino. REMEMBER: It is 1/3 espresso, 1/3 steamed milk and 1/3 frothed milk. Pour the espresso into a cup, which has the capacity of at least 150 ml (5 ounces). Then add the steamed milk to the espresso and spoon on the frothed milk.
8. Follow the instructions on Page 4 under section marked “CAUTION: PRESSURE” to flush out any residual milk from the frothing tube. It is important to properly clean your frothing tube after each use to ensure it continues to work properly. (See Step 2 below)
9. Unplug the power cord and allow the machine to cool. Do not remove the reservoir cap or brew head until the pressure in the machine has been released. Follow procedures in section marked “CAUTION: PRESSURE” on Page 4 to relieve the pressure.

## CLEANING AND MAINTENANCE

1. Turn the unit to off position “○” and unplug the power cord from the electrical outlet.
2. The frothing tube may still be hot. Do not touch it with your hands until it has cooled. Remove frothing aid and wipe frothing tube with a damp cloth. Using the wrench built into the measuring spoon, unscrew the frothing aid and clean valve with a needle or toothpick.
3. The carafe, carafe lid, filter, brew head and drip tray can be washed with soapy water or placed on the top rack only of your dishwasher. CAUTION: Do not immerse appliance in water. Do not remove reservoir cap or brew head while appliance is under pressure. See Section “CAUTION: PRESSURE” on Page 4.
4. After the pressure has been released, remove reservoir cap. Discard the remaining water through the top opening of the water reservoir by turning the appliance upside down over the sink. Always empty the water reservoir between uses. Do not immerse appliance in water. Screw the reservoir cap back in place.
5. Wipe housing with a soft wet cloth. Do not use abrasive cleaners or scouring pads as they will scratch the finish.
6. Do not store the filter holder in the brew head. This can adversely affect the seal between the brew head and the filter holder while brewing espresso.

### DELMING

Mineral deposits built-up in the Espresso Maker will affect the operation of the appliance. Your Espresso Maker must be delimed when you begin to notice an increase in the time to brew espresso, or when there is excessive steaming. Also, you may notice a build-up of white deposits on the surface of the brew head.

The frequency of cleaning depends upon the hardness of the water used. The following table gives the suggested cleaning intervals.

### SUGGESTED CLEANING INTERVAL

<b>Type of Water</b>	<b>Cleaning Frequency</b>
Soft Water (Filtered Water)	Every 80 Brew Cycles
Hard Water (Tap Water)	Every 40 Brew Cycles

## TO DELIME WATER RESERVOIR:

1. Make sure the control knob is in the off position “○” and that the power cord is disconnected from the electrical outlet.
2. If the appliance is cool and the pressure has been released, (See Section “CAUTION: PRESSURE” on Page 4) remove the reservoir cap and fill reservoir with fresh, undiluted white household vinegar.
3. Allow appliance to sit overnight with the vinegar solution in the water reservoir.
4. Discard vinegar through the top opening of the Espresso Maker by turning the machine upside down over the sink.
5. Rinse the water reservoir thoroughly with tap water by filling tank half full with water and then pouring the water back out into the sink, repeating this step twice.

## TO DELIME INTERNAL PARTS:

1. Make sure you delime the inside of the water reservoir first by following the “Deliming” steps above.
2. Make sure the control knob is in the off position “○”, the power cord is disconnected from the electrical outlet, the appliance is cool and all pressure in the appliance has been released. (See Section “CAUTION: PRESSURE” on Page 4). Fill carafe to the top of the metal band with vinegar and pour into reservoir.
3. Screw the cap back on top of the water reservoir. Make sure the cap is on tight.
4. Insert the brew head (with filter) and place the glass carafe with lid on the drip tray.
5. Plug the power cord into the electrical outlet.
6. Turn the control knob to the “☺” position. When vinegar begins to flow into the carafe, place a cup with cold water under the frothing aid. Insert the frothing tube into the water and slowly turn the control knob to the “☺” position. After 10 seconds turn the control knob to the off position “○”. This will clean any residue left in the frothing tube from frothing milk.
7. Turn the control knob to the “☺” position. When all the vinegar has been pumped into the carafe and the flow has stopped, turn the control knob to the off position “○” and allow the appliance to cool.
8. Repeat Steps 1 – 7 using only tap water to rinse any remaining traces of vinegar out of the machine. Repeat this rinsing process, allowing the machine to cool and pressure to be released before each rinsing.

## CARAFE CLEANING

Hard water can leave a whitish mineral deposit inside the carafe. Coffee discolors these deposits, sometimes leaving a brownish stain inside the carafe. To remove these stains, follow these simple steps:

1. Use a solution of equal parts white vinegar and hot water.
2. Let solution stand in carafe for about 20 minutes and then discard.
3. Wash and rinse the carafe thoroughly using a soft cloth. Do not use harsh abrasive cleaners. These may cause scratches which can lead to breakage.

# PROBLEMS AND CAUSES

PROBLEM	CAUSE	SOLUTIONS
Coffee does not come out	<ul style="list-style-type: none"> <li>• No water in reservoir.</li> <li>• Coffee grind is too fine</li> <li>• Too much coffee in the filter.</li> <li>• Cap is not secure, steam is escaping.</li> <li>• Appliance was not turned on or plugged in.</li> <li>• Coffee has been tamped/compressed too much.</li> </ul>	<ul style="list-style-type: none"> <li>• Add water.</li> <li>• Grind coffee medium ground.</li> <li>• Fill filter only to 4-cup mark.</li> <li>• Tighten cap.</li> <li>• Plug unit into electrical outlet. Turn on.</li> <li>• Refill filter head with coffee DO NOT TAMP.</li> </ul>
Coffee comes out around the edge of the filter holder	<ul style="list-style-type: none"> <li>• Filter holder not rotated to full lock position.</li> <li>• Coffee grounds around the filter head rim.</li> <li>• Too much coffee in the filter head.</li> </ul>	<ul style="list-style-type: none"> <li>• Rotate filter holder to full lock.</li> <li>• Wipe off rim; fill only to 4-cup mark</li> <li>• Fill only to 4-cup mark.</li> </ul>
No steam is generated	<ul style="list-style-type: none"> <li>• Water reservoir is empty.</li> <li>• Too much water in the reservoir – no room for steam.</li> <li>• Appliance is not turned on.</li> <li>• Frothing tube is blocked.</li> </ul>	<ul style="list-style-type: none"> <li>• Fill reservoir with correct amount of water. See Page 5 and 6.</li> <li>• Empty some water from reservoir. See Page 8.</li> <li>• Turn on unit with control knob.</li> <li>• Following frothing stage, operate frothing function for 1 – 2 seconds to extract excess milk. Or, turn off unit, allow unit to cool, unplug unit and clean out frothing tube with a needle or toothpick.</li> </ul>
Milk is not foamy after frothing	<ul style="list-style-type: none"> <li>• Ran out of steam.</li> <li>• Milk is not cold enough.</li> </ul>	<ul style="list-style-type: none"> <li>• Pour in the required amount of water to make cappuccino. See Page 7.</li> <li>• Chill milk and frothing pitcher prior to making cappuccino.</li> </ul>
Coffee comes out too quickly	<ul style="list-style-type: none"> <li>• Ground coffee is too coarse.</li> <li>• Not enough coffee in filter head.</li> </ul>	<ul style="list-style-type: none"> <li>• Use a finer grind.</li> <li>• Use more coffee.</li> </ul>
Coffee is splattering out of frothing tube	<ul style="list-style-type: none"> <li>• Water tank is empty or low, not enough pressure.</li> </ul>	<ul style="list-style-type: none"> <li>• Once unit has cooled, use more water to brew espresso.</li> </ul>

# RECIPE IDEAS THAT YOU WILL LOVE TO TRY!

## **CAFÉ MOCHA**

30 ml (1oz.) of chocolate syrup, one shot of espresso, 237 ml (1 cup) frothed milk

## **CAFÉ AMERICANO**

1/2 espresso and 1/2 hot water

## **CAFÉ MACCHIATO**

1/3 espresso and 2/3 steamed milk

## **CAFÉ LATTE**

1/4 espresso and 3/4 steamed milk, pour both in a mug at the same time

## **CAFÉ AU LAIT**

1/2 espresso, 1/2 steamed milk

## **MOCHA HOT CHOCOLATE**

Add 60 ml (2 oz.) of espresso to one cup of hot chocolate

## **(FOR ADULTS 21 YEARS AND OLDER)**

### **SAN FRANCISCO CAPPUCINO**

Espresso, hot steamed chocolate, Brandy, topped with cream and cinnamon

### **CAFÉ IRISH**

Espresso, Irish whiskey, topped with whipped cream

### **CAFÉ TUACA**

Espresso, Tuaca liqueur, topped with whipped cream

### **CAFÉ VIENNA**

Espresso, Brandy, topped with whipped cream

### **CAFÉ TIA MARIA**

Espresso, Tia Maria liqueur, topped with frothed milk

### **CAFÉ GRAND MARNIER**

Espresso, Grand Marnier liqueur, topped with whipped cream and grated orange peel

### **MEXICAN CAFÉ**

Espresso, Kahlua, Tequila, topped with whipped cream

### **CAFÉ ROMANO**

Espresso, Brandy and lemon twist

# IMPORTANTES MESURES DE SECURITE

L'utilisation d'appareils électriques nécessite certaines précautions élémentaires d'emploi afin de réduire les risques d'incendie, de choc électrique ou autres blessures, en particulier:

1. **LIRE SOIGNEUSEMENT TOUTES LES INSTRUCTIONS AVANT D'UTILISER L'APPAREIL.**
2. **NE PAS** toucher les surfaces chaudes. Se servir des poignées ou des boutons.
3. Pour éviter un choc électrique, **NE PAS** plonger le cordon, la fiche électrique ou l'appareil dans l'eau ou tout autre liquides.
4. Eteindre l'appareil et le débrancher lorsqu'il n'est pas en service et avant de le nettoyer. Laisser refroidir l'appareil avant d'installer ou de retirer un élément, et avant de le nettoyer.
5. **NE PAS** utiliser un appareil lorsque le cordon ou la fiche électrique est endommagé, ni lorsque cet appareil ne fonctionne pas normalement ou qu'il a subi quelque dommage que ce soit. En cas de réparation, veuillez retourner cet appareil uniquement au Centre de Service Autorisé Oster® le plus proche de chez vous.
6. L'utilisation d'accessoires non recommandés par Oster® peut entraîner des risques et des blessures.
7. **NE PAS** utiliser à l'extérieur ou pour un usage commercial.
8. **NE PAS** laisser le cordon électrique pendre sur le bord d'une table ou d'un comptoir, ni le mettre en contact avec des surfaces chaudes.
9. **NE PAS** placer l'appareil sur ou à proximité d'une cuisinière électrique ou à gaz, ni dans un four chaud.
10. **NE PAS** se servir de cet appareil pour d'autres usages que ceux pour lesquels il a été conçu.
11. L'utiliser uniquement sur une surface dure et plane, pour éviter l'interruption du flot d'air sous l'appareil.
12. Assurez-vous que le couvercle du réservoir d'eau est bien fermé avant de mettre en marche l'appareil.
13. **NE PAS** enlever le couvercle du réservoir ou le panier à café avant d'avoir relâché la pression. Vous reporter au paragraphe intitulé "ATTENTION: PRESSION" pour toutes informations complémentaires.
14. Cet appareil n'est pas destiné à être utilisé par des personnes (enfants y compris) dont les capacités physiques, sensorielles ou mentales sont diminuées, ou qui ne disposent pas des connaissances ou de l'expérience nécessaire, à moins qu'elles n'aient été formées et encadrées pour l'utilisation de cet appareil par une personne responsable de leur sécurité. Les enfants doivent être surveillés pour s'assurer qu'ils NE jouent PAS avec l'appareil.
15. Les enfants et personnes handicapées doivent être surveillés lorsqu'ils utilisent l'appareil ou que l'appareil est utilisé à côté d'eux.
16. Cet appareil n'a pas été conçu pour être utilisé avec une minuterie externe ou un système de télécommande séparé.
17. Cet appareil a été conçu pour être utilisé à la maison et pour d'autres usages similaires tels que : espaces cuisine pour employés de boutiques, bureaux ou tout autre lieu de travail ; Dans des maisons de ferme ; Par des clients d'hôtels, motels ou toute autre type de résidence ; ou dans des maisons d'hôtes.

**CET APPAREIL EST UNIQUEMENT DESTINE À UN USAGE MENAGER.**

# VEUILLEZ CONSERVER CES INSTRUCTIONS

## (SEULEMENT POUR APPAREILS DE 120 V & 127 V AVEC DEUX FICHES PLATES)

fin de réduire le risque de choc électrique, cet appareil est muni d'une fiche électrique polarisée (l'une des lames est plus large que l'autre) Ce type de fiche ne peut s'insérer dans une prise murale polarisée que dans un seul sens. C'est un dispositif de sécurité qui vise à réduire le risque de choc électrique. Si la fiche ne rentre pas parfaitement dans la prise, tournez-la dans l'autre sens. Si elle ne rentre toujours pas, faites appel à un électricien professionnel. Ne pas tenter de contourner ce dispositif de sécurité.

## UTILISATION ET ENTRETIEN DE LA VERSEUSE

Pour éviter de casser la verseuse, suivre les instructions suivantes:

- a. Cette verseuse est destinée à être utilisée avec la Cafetière Oster® pour Espresso/ Cappuccino et par conséquent ne doit pas être utilisée sur une cuisinière ou dans un four, FOUR A MICRO-ONDES INCLUS.
- b. **NE PAS** poser la verseuse brûlante sur une surface humide ou froide.
- c. **NE PAS** utiliser une verseuse fissurée ou une verseuse avec une poignée mal attachée.
- d. **NE PAS** nettoyer la verseuse avec des produits à récurer, des tampons en aciers ou autres produits abrasifs.
- e. Ne plus utiliser la verseuse si l'ébullition a complètement séché son contenu.
- f. Éviter de la cogner ou de la rayer, manipuler avec soin.

**ATTENTION:** Pour éviter les risques d'incendie ou de choc électrique ne pas essayer de démonter l'appareil. Ne contient pas de pièces détachées remplaçables par l'utilisateur. Toute réparation doit être faite exclusivement par des personnes autorisées. Ouvrir la plaque du fond de l'appareil annule la garantie.

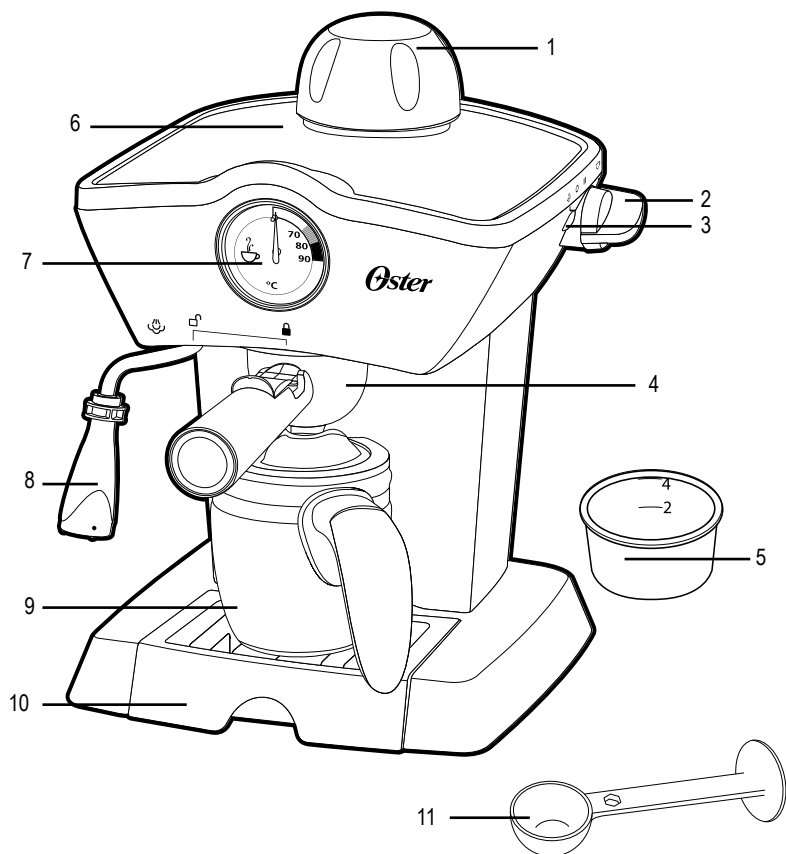
## RECOMMANDATIONS D'USAGE DU CORDON ELECTRIQUE

1. Le cordon électrique est court afin de réduire les risques d'enchevêtrement et de chute.
2. Si vous utilisez une rallonge, faites preuve de prudence lors de l'utilisation de l'appareil.
3. Si vous utilisez une rallonge, assurez-vous que le cordon a une puissance équivalente à celle de l'appareil. Ne pas laisser pendre le cordon sur le bord d'un comptoir ou d'une table, un enfant pourrait tirer dessus ou s'y accrocher involontairement.

## ATTENTION: SOUS PRESSION

Afin d'éviter des brûlures et/ou autres blessures provoquées par la vapeur et l'eau très chaude, NE JAMAIS ouvrir le couvercle du réservoir ou le panier à café pendant que votre Cafetière Oster® Espresso/Cappuccino est en service ou pendant qu'il y a de la pression dans le réservoir d'eau. Lire page 4 pour plus d'informations.

# DESCRIPTION DE L'APPAREIL



- |                                  |                                      |
|----------------------------------|--------------------------------------|
| 1. Couverture du réservoir d'eau | 7. Jauge de température              |
| 2. Bouton de commande            | 8. Mousseur à lait                   |
| 3. Voyant lumineux               | 9. Verseuse en verre                 |
| 4. Panier à café                 | 10. Plateau d'égouttement démontable |
| 5. Filtre                        | 11. Mesure Avec Clef                 |
| 6. Réservoir d'eau               |                                      |

## Légende du bouton de commande:



# INTRODUCTION

Félicitations ! Vous venez d'acheter une cafetière Oster® expresso/cappuccino de qualité. Avec cet appareil unique, vous pouvez préparer un délicieux café expresso/cappuccino de façon rapide et pratique.

Expresso est une méthode utilisée pour faire du café qui utilise de l'eau très chaude sous pression passée au travers de grains de café finement moulus. Populaire en Europe, c'est un café avec beaucoup plus de saveur et plus fort que le café standard Américain.

Parce qu'il est plus fort, l'expresso est en général servi dans des petites tasses de 44 à 59 ml (1,5 à 2 onces) de contenance.

La plupart de ceux qui boivent du café expresso en Europe le préfèrent cappuccino, une boisson préparée avec un tiers de café expresso, un tiers de lait chauffé à la vapeur et un tiers de mousse de lait. Préparer un expresso ou un cappuccino n'est pas la même chose que préparer un café normal, cet appareil utilise de l'eau sous pression et nécessite des précautions spéciales.

Veillez lire soigneusement TOUTES les instructions, mesures de précautions, notes et recommandations de ce manuel avant d'utiliser l'appareil. Après usage et pendant qu'il refroidit, cet appareil génère de la pression. Il est très important de laisser l'appareil refroidir pendant environ 15 minutes entre chaque cycle de préparation du café, afin d'assurer qu'il n'y plus de pression et qu'il est sans danger d'ouvrir le couvercle et d'enlever le panier. Veuillez suivre les précautions d'usage et d'entretien afin de garantir un long usage sans problème de votre cafetière pour expresso/cappuccino. Veuillez conserver ces instructions et y faire référence pour informations sur le nettoyage et l'entretien.

## ATTENTION: SOUS PRESSION

Afin de vérifier si l'appareil est sous pression, veuillez suivre les instructions suivantes:

1. Tourner le bouton de commande sur la position d'arrêt «○» et débrancher l'appareil.
2. Tourner le bouton de commande sur la position «☺». Si de la vapeur sort du tube cela signifie que le réservoir est encore sous pression. Tourner le bouton de commande sur la position d'arrêt «○».
3. Pour relâcher la pression, mettre une carafe d'eau sous le mousoir à lait et plonger le bout du tube dans l'eau. **TOURNER LENTEMENT LE BOUTON DE MARCHE/ARRET SUR LA POSITION VAPEUR «☺» ET LIBERER LA VAPEUR.**
4. Une fois qu'il n'y a plus de vapeur qui sort du tube, tourner le bouton sur la position d'arrêt «○» et soulever lentement le couvercle.
5. Ne jamais enlever le panier à café pendant la préparation ou avant que la pression n'ait été complètement relâchée.
6. Faites attention au moment d'enlever le panier à café. Il est possible que les parties en métal soient encore très chaudes. Il est aussi possible qu'il y ait de l'eau brûlante au-dessus du filtre.
7. Si le café ne goutte pas du panier à café, cela signifie qu'il est obstrué. L'obstruction pourrait provenir du café moulu trop fin. Vous reportez au paragraphe intitulé «PROBLEMES ET CAUSES».
8. **NETTOYAGE DU MOUSSOIR A LAIT:** Mettre une carafe ou un large bol d'au moins 325 ml (11 onces) de contenance rempli à moitié d'eau sous le mousoir à lait. Assurez-vous que l'extrémité est bien plongée dans le liquide avant de tourner le bouton sur la position vapeur «☺». Faites mousser l'eau pendant environ 15 secondes.

**NOTE:** Pour assurer un long usage sans problème de votre appareil, nettoyer le mousoir à lait après chaque usage.



# COMMENT PREPARER UN BON EXPRESSO OU UN CAPPUCCINO CHEZ SOI

## LE CAFÉ

Le café doit être fraîchement moulu et le grain bien grillé. Si vous le désirez, vous pouvez essayer un café français ou italien. Un café moulu garde sa saveur jusqu'à 7 ou 8 jours, à condition qu'il soit rangé dans un récipient à vide, dans un endroit frais et sombre. Ne pas garder au réfrigérateur ou au congélateur. Il est recommandé de mouler les grains, juste avant de faire le café. Les grains de café rangés dans un récipient à vide garderont leur saveur pendant environ 4 semaines.

## MOUDRE LE CAFÉ

C'est une étape très importante dans la préparation du café et requiert de la pratique. Le café doit être finement moulu.

- Le grain du café moulu doit être de la taille du grain de sel.
- Si le grain est trop fin, l'eau ne passera pas à travers le café même sous pression. Un café moulu trop fin ressemble à de la poudre et a la consistance et le touché de la farine.
- Si le grain n'est pas assez fin, l'eau passe à travers du café trop rapidement et ne permet pas l'extraction complète de la saveur.

Assurez-vous d'utiliser un moulin à café de qualité pour une consistance uniforme des grains moulus. Les moulins à café en forme d'ovale ne sont pas recommandés car le café moulu n'est pas de consistance uniforme.

## AVANT DE PREPARER VOTRE PREMIER CAFE EXPRESSO

Veillez vous reporter au paragraphe intitulé «Description de l'Appareil».

1. Tourner le bouton de commande sur la position arrêt «○» et assurez-vous que l'appareil est bien débranché de la prise murale.
2. Retirer d'abord la verseuse, le couvercle, le filtre et le panier et laver les soigneusement avec du savon doux et de l'eau. Bien rincer et remettre en place. Lire le paragraphe «Comment préparer un expresso» ci-dessous pour toute information concernant le remplacement du filtre et du panier.
3. Pour nettoyer l'intérieur de l'appareil, suivre les instructions sur «Comment Préparer Un expresso» ci-dessous, en utilisant uniquement de l'eau. Ne pas plonger l'appareil dans l'eau et ne pas essayer d'atteindre les éléments internes de l'appareil.

## COMMENT PREPARER UN EXPRESSO

1. Tourner le bouton de commande sur la position «○».
2. Remplir la verseuse d'eau froide jusqu'au trait indiquant la quantité désirée.  
Ne jamais utiliser d'eau chaude ou très chaude pour remplir le réservoir. La table ci-dessous indique la quantité d'eau à utiliser selon la quantité de café désirée.

**NOTE:** Une tasse d'expresso a une contenance de 60 ml (2 onces).

NOMBRE DE TASSES	CAFÉ ESPRESSO FINEMENT MOULU	EAU (FROIDE)
2 Tasses	Jusqu'au niveau des 2 tasses sur le filtre	Jusqu'au niveau des 2 tasses sur la carafe
4 Tasses	Jusqu'au niveau des 4 tasses sur le filtre	Jusqu'au niveau des 4 tasses sur la carafe

3. Retirer le couvercle du réservoir d'eau et verser l'eau. Assurez-vous de bien mesurer la quantité d'eau nécessaire. Ne pas remplir jusqu'au bord du réservoir sinon il n'y aura pas assez d'espace pour la vapeur.

**ATTENTION:** Ne pas verser l'eau dans le réservoir pendant que l'appareil est en service.

Assurez-vous que le bouton de commande est bien sur la position arrêt « O ».

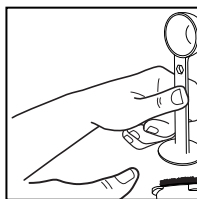
4. Remettre le couvercle sur le réservoir. Assurez-vous qu'il est bien vissé.

### PREPARATION DU CAFÉ

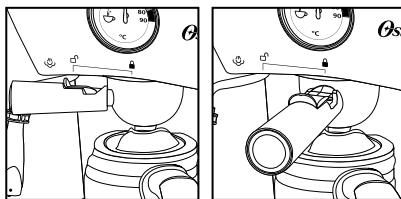
1. Mettre le filtre dans le panier.

2. Remplir avec du café expresso finement moulu jusqu'au 2ème ou 4ème trait du filtre. Ne pas remplir plus haut que le 4ème trait. Nettoyer l'excès de café qui peut être tombé sur le bord du panier. De cette façon, le panier s'ajustera parfaitement sur la partie du haut.

**ATTENTION:** Tasser un peu le café. Ne pas remplir le café jusqu'au bord, cela pourrait provoquer un débordement ou un bouchon.



3. Mettre le panier à café juste en dessous de la partie du haut, pour attacher le panier retirer d'abord le système d'attache puis placer le panier avec la poignée totalement sur la gauche jusqu'à ce qu'il rentre dans la rainure. Puis tourner doucement vers la droite jusqu'à ce qu'il soit bien en place en position de verrouillage.



## PREPARATION DE L'ESPRESSO

**ATTENTION: SI VOUS DESIREZ FAIRE UN CAPPUCCINO, REPORTEZ-VOUS AU CHAPITRE SUR «COMMENT PREPARER UN CAPPUCCINO».**

1. Assurez-vous que la grille d'égouttement est bien en place sur le plateau.

2. Mettre le couvercle sur la verseuse de telle façon que l'ouverture se trouve juste en dessous du bec à pression et placer la verseuse sur la grille. La poignée du panier à café doit être alignée avec celle de la verseuse.

3. Assurez-vous que le bouton de commande est bien sur la position arrêt « O ».

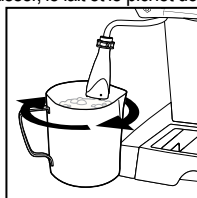
4. Brancher le cordon électrique sur la prise murale et tourner le bouton de commande vers le haut jusqu'au symbole « ☞ » du café, pour commencer à faire passer le café. La lumière s'allume et vous indique que l'appareil est en service.
  5. Environ 3 à 5 minutes plus tard, l'expresso commencera à passer dans la verseuse.
  6. Dès que le café s'est arrêté de passer, tourner le bouton de commande sur la position arrêt « ○ ». Débrancher le cordon de la prise et laisser l'appareil refroidir. Ne pas retirer le couvercle du réservoir ou le panier à café avant que la pression dans l'appareil n'ait été complètement libérée. Suivre les instructions du paragraphe intitulé «ATTENTION: SOUS PRESSION».
- ATTENTION:** Ne pas jamais retirer le couvercle du réservoir ou le panier à café pendant que l'appareil est sous pression ou avant qu'il ait refroidi. Suivre les instructions du paragraphe intitulé «ATTENTION : SOUS PRESSION» pour libérer la pression avant de retirer le couvercle ou le panier à café.
7. Une fois l'appareil refroidi et la pression libérée, retirer le panier à café de la partie du dessus. Maintenir le filtre en place avec le système d'attache et retourner le panier à café pour le vider. Rincer le filtre et le panier avec de l'eau.
- ATTENTION:** Il est possible que les parties en métal du panier soient encore très chaudes. Au moment de jeter le café, assurez-vous d'utiliser le système d'attache. Refroidir ces éléments en les passant sous l'eau froide.
8. Pour les instructions d'entretien, vous reporter aux instructions du paragraphe intitulé «nettoyage et entretien».

## COMMENT FAIRE UN CAPPUCCINO

Un cappuccino est un expresso avec au-dessus du lait chauffé à la vapeur et la mousse de lait. Faire mousser le lait demande une certaine pratique. Ne soyez pas découragé si tout n'est pas parfait la première fois. Une moitié du lait devrait être chauffée à la vapeur (la moitié inférieure du pichet) et l'autre moitié destinée à la mousse (moitié supérieure du pichet). Il est possible que vous ayez besoin de pratiquer plusieurs fois avant de pouvoir le faire parfaitement.

Pour de meilleurs résultats, nous recommandons que vous fassiez mousser le lait dans un pichet séparément et ensuite le verser dans votre café. Le lait et le pichet doivent être froids. Ne pas utiliser un pichet qui vient juste d'être nettoyé à l'eau chaude. Nous recommandons aussi d'utiliser un pichet en acier inoxydable et un thermomètre de cuisine, si vous en avez un, pour une meilleure préparation du lait.

1. La première étape dans la préparation du cappuccino, c'est l'expresso. Par conséquent, remplir la verseuse d'eau froide jusqu'au trait représentant la quantité désirée de tasses. Ne jamais utiliser d'eau chaude ou très chaude pour remplir le réservoir. (Se reporter à la table incluse dans le paragraphe intitulé «Préparation de l'expresso»).
  2. Suivre les instructions du No 1 au No 5 incluses dans le paragraphe intitulé «Préparation de l'expresso».
  3. Remplir de lait froid la moitié du petit pichet en acier inoxydable ou en céramique et le placer à côté de l'appareil. Il est plus facile de faire mousser le lait avec du lait écrémé ou à 2% de matière grasse.
  4. Si vous voulez faire de 2 tasses de café, arrêter l'infusion de l'expresso une fois atteint la mesure de 2 tasses. Tourner le bouton de contrôle sur la position pause « || ». Si vous voulez faire 4 tasses de café, arrêter l'infusion de l'expresso une fois atteint la mesure de 4 tasses. Tourner le bouton de contrôle sur la position pause « || ».
  5. Maintenant vous êtes prêt à préparer le lait. Placer le pichet sous le mousoir à lait de telle manière que l'extrémité soit légèrement plongée dans le lait. Tourner le bouton de commande sur la position « ☞ ». Faire doucement tourner le pichet autour de l'extrémité du mousoir pendant environ 45 minutes.
- RAPPELEZ-VOUS:** Avant de faire mousser, le lait et le pichet doivent être très froids.



6. Quand le lait a doublé de volume ou si vous utilisez un thermomètre de cuisine, une fois que le lait a atteint les 38°C (100°F), plonger l'extrémité du moussoir plus profondément dans le pichet de lait. Ne pas faire chauffer le lait au-delà des 65°C (150°F). Pour éviter d'éclabousser, ne pas lever l'extrémité du moussoir au-delà de la surface du lait. Quand la mousse est prête, tourner le bouton de commande de nouveau sur la position arrêt « O ».
7. Maintenant vous êtes prêt à préparer le cappuccino. **RAPPELEZ-VOUS**: c'est 1/3 d'expresso, 1/3 de lait chauffé à la vapeur, 1/3 de mousse de lait. Verser l'expresso dans une tasse d'une contenance d'au moins 150 ml (5 onces). Puis ajouter le lait chauffé à la vapeur à l'expresso et la mousse de lait avec une cuillère.
8. Suivre les instructions du paragraphe de la page 4 intitulé «ATTENTION: SOUS PRES-SION» pour éliminer tout résidu de lait se trouvant dans le moussoir à lait. Il est important de bien nettoyer le tube après chaque usage afin d'assurer un bon fonctionnement (voir étape No 2 de la section suivante).
9. Débrancher le cordon électrique de la prise murale et laisser refroidir l'appareil. Ne pas retirer le couvercle du réservoir ou le panier à café avant de libérer la pression. Suivre les instructions du paragraphe de la page 4 intitulé «ATTENTION : SOUS PRESSION» pour relâcher la pression.

## NETTOYAGE ET ENTRETIEN

1. Eteindre l'appareil et débrancher le cordon électrique de la prise murale.
2. Il est possible que le moussoir soit encore brûlant, ne pas le toucher avant qu'il n'ait refroidi. Retirer l'extrémité du moussoir et nettoyer avec un chiffon humide. À l'aide de la clef intégrée à la cuillère de mesure, dévisser l'extrémité et nettoyer avec une aiguille ou un cure-dent.
3. La verseuse, le couvercle de la verseuse, le filtre, le panier et le plateau d'égouttement peut être nettoyés avec de l'eau savonneuse ou placés sur la partie supérieure de votre lave-vaisselle. ATTENTION: Ne jamais plonger l'appareil dans l'eau. Ne pas retirer le couvercle du réservoir ou le panier à café pendant que l'appareil est sous pression. Se reporter au paragraphe de la page 4 «ATTENTION: SOUS PRESSION».
4. Une fois la pression libérée, retirer le couvercle du réservoir. Jeter l'eau qui reste en retournant l'appareil au-dessus de l'évier. Entre chaque usage, toujours jeter l'eau qui n'a pas servi. Ne pas plonger l'appareil dans l'eau. Remettre le couvercle de l'appareil en place.
5. Nettoyer le corps de l'appareil avec un chiffon doux et humide. Ne pas utiliser de produits abrasifs ou de tampons à récurer, cela pourrait rayer la finition.
6. Ne pas laisser le filtre attaché à la partie supérieure, cela pourrait affecter l'étanchéité au moment de la préparation du café.

### ELIMINATION DU CALCAIRE

Les dépôts de minéraux sur les parois de la cafetière peuvent altérer le bon fonctionnement de l'appareil. Il devient nécessaire d'éliminer les dépôts de calcaire si vous notez que le café passe plus lentement ou si vous notez un excès de vapeur. Il est possible aussi que vous notiez un dépôt blanc sur la partie supérieure. La fréquence du nettoyage dépend de la dureté de l'eau utilisée. La table suivante vous indique les intervalles de nettoyage.

### INTERVALLES SUGGERES DE NETTOYAGE

#### Niveau de dureté de l'eau

Eau peu ou non calcaire (eau filtrée)  
Eau calcaire (eau du robinet)

#### Fréquence de nettoyage

Tous les 80 cycles  
Tous les 40 cycles

## POUR ELIMINER LE CALCAIRE DU RESERVOIR D'EAU:

1. Assurez-vous que le bouton de commande est bien sur la position arrêt «○» et que le cordon électrique est bien débranché de la prise murale.
2. Une fois l'appareil refroidi et la pression libérée (lire paragraphe de la page 4 intitulé «ATTENTION: SOUS PRESSION») retirer le couvercle du réservoir et le remplir de vinaigre non-dilué.
3. Laisser l'appareil avec le vinaigre dans le réservoir toute une nuit.
4. Jeter le vinaigre par l'ouverture de la cafetière en retournant l'appareil au-dessus de l'évier.
5. Bien rincer le réservoir en le remplissant à moitié d'eau du robinet puis en jetant l'eau. Répéter deux fois.

## POUR ELIMINER LE CALCAIRE E L'INTERIEUR DE L'APPAREIL:

1. Assurez-vous que vous avez d'abord éliminé le calcaire à l'intérieur du réservoir en suivant les instructions du paragraphe au-dessus.
2. Assurez-vous que tout est sur la position arrêt «○», que le cordon électrique est débranché de la prise murale, que l'appareil est refroidi et que la pression a été libérée. (Se reporter au paragraphe de la page 4 intitulé «ATTENTION: SOUS PRESSION»). Remplir la verseuse de vinaigre jusqu'en haut de la bande de métal et le verser dans le réservoir.
3. Remettre le couvercle du réservoir en place. S'assurer que le couvercle est bien fermé.
4. Insérer le panier (avec le filtre) sur la partie supérieure et placer la verseuse avec le couvercle sur le plateau d'égouttement.
5. Brancher le cordon électrique sur la prise murale.
6. Tourner le bouton de commande sur la position «☞». Quand le vinaigre commence à passer dans la verseuse, placer une tasse d'eau froide sous le mousoir à lait. Plonger le tube dans l'eau et tourner lentement le bouton sur la position «☺». Attendre 10 secondes puis tourner le bouton sur la position d'arrêt.
7. ourner le bouton de commande sur la position «☞». Une fois que le vinaigre est complètement passé dans la verseuse et que la cafetière s'est arrêtée, tourner le bouton de commande sur la position arrêt «○» et laisser l'appareil refroidir.
8. Répéter les étapes du No 1 au No 7 en utilisant seulement de l'eau du robinet pour éliminer toute trace de vinaigre. Répéter en laissant l'appareil refroidir et en libérant la pression entre chaque rinçage.

## ENTRETIEN DE LA VERSEUSE

L'eau calcaire peut laisser un dépôt minéral blanc sur les parois de la verseuse. Le café décolore ces dépôts et parfois y laisse des taches marron. Pour éliminer ces taches, suivre les instructions suivantes:

1. Utiliser une solution faite à partir d'une moitié de vinaigre et d'une moitié d'eau chaude.
2. Laisser la solution dans la carafe pendant environ 20 minutes puis jeter.
3. Bien nettoyer et rincer la verseuse en utilisant un chiffon doux. Ne pas utiliser de produits nettoyeurs abrasifs. Cela pourrait rayer la surface et amener la verseuse à casser.

# PROBLEMES ET CAUSES

PROBLEME	CAUSES	SOLUTIONS
Le café ne passe pas	<ul style="list-style-type: none"> <li>• Il n'y a pas d'eau dans le réservoir.</li> <li>• Le café est moulu trop fin.</li> <li>• Trop de café dans le filtre.</li> <li>• Il y a trop de café dans le filtre.</li> <li>• L'appareil n'était pas en marche ou n'était pas branché.</li> <li>• Le café a été trop tassé/compressé.</li> </ul>	<ul style="list-style-type: none"> <li>• Ajouter de l'eau.</li> <li>• Moudre le café jusqu'à obtention d'un grain moyen.</li> <li>• Ne pas remplir le filtre au-delà du trait indiquant 4 tasses.</li> <li>• Bien fermer le couvercle.</li> <li>• Brancher l'appareil à la prise murale. Mettre en marche.</li> <li>• Remplir le panier à filtre de café NE PAS TASSER.</li> </ul>
Le café passe sur les côtés du panier à filtre	<ul style="list-style-type: none"> <li>• Le panier à filtre n'est pas sur sa position de verrouillage.</li> <li>• Il y a du café sur le bord du filtre.</li> <li>• Il y a trop de café dans le panier à filtre.</li> </ul>	<ul style="list-style-type: none"> <li>• Tourner le filtre jusqu'à la position de verrouillage.</li> <li>• Nettoyer le bord, ne pas remplir au-delà du trait indiquant 4 tasses.</li> <li>• Ne pas remplir au-delà du trait indiquant 4 tasses.</li> </ul>
Il n'y a pas de vapeur	<ul style="list-style-type: none"> <li>• Le réservoir d'eau est vide.</li> <li>• Il y a trop d'eau dans le réservoir, pas assez d'espace pour la vapeur.</li> <li>• L'appareil n'est pas en service.</li> <li>• Le mousoir à lait est bouché.</li> </ul>	<ul style="list-style-type: none"> <li>• Remplir le réservoir avec la quantité exacte d'eau. Se reporter à la page 5/6.</li> <li>• Vider un peu d'eau du réservoir. Se reporter à la page 8.</li> <li>• Pour mettre en marche, utiliser le bouton de marche/ arrêt.</li> <li>• Après avoir utilisé le mousoir à lait, laisser fonctionner pour 1 à 2 secondes pour éliminer du tube l'excès de lait. Ou bien, éteindre l'appareil, laisser refroidir, débrancher et nettoyer le mousoir avec une aiguille ou un cure-dent.</li> </ul>
Le lait n'a pas de mousse même après avoir utilisé le mousoir	<ul style="list-style-type: none"> <li>• Il n'a plus de vapeur.</li> <li>• Le lait n'est pas assez froid.</li> </ul>	<ul style="list-style-type: none"> <li>• Verser la quantité d'eau nécessaire pour faire un cappuccino. Se reporter à la page 7.</li> <li>• Faire refroidir le lait et le pichet avant de préparer le cappuccino.</li> </ul>
Le café passe trop vite	<ul style="list-style-type: none"> <li>• Le café n'est pas moulu assez fin.</li> <li>• Il n'y a pas assez de café dans le filtre.</li> </ul>	<ul style="list-style-type: none"> <li>• Moudre le grain plus fin.</li> <li>• Utiliser plus de café.</li> </ul>
Le café sort en giclant du mousoir à lait	<ul style="list-style-type: none"> <li>• Le réservoir d'eau est vide ou il y a très peu, pas assez de pression.</li> </ul>	<ul style="list-style-type: none"> <li>• Une fois l'appareil refroidi, rajouter de l'eau pour faire un expresso.</li> </ul>

# DES IDÉES DE RECETTES QUE VOUS ALLEZ ADORER!

## CAFÉ MOCCHA

30 ml (1 once) de sirop de chocolat, une goutte d'expresso et 237 ml (1 tasse) de mousse de lait

## CAFÉ LATTE

1/4 de café expresso et 3/4 de lait chauffé à la vapeur, verser en même temps dans un bol

## CAFÉ AMERICANO

1/2 de café expresso et 1/2 d'eau chaude

## CAFÉ AU LAIT

1/2 de café expresso et 1/2 de lait chauffé à la vapeur

## CAFÉ MACCHIATO

1/3 de café expresso et 2/3 de lait chauffé à la vapeur

## CHOCOLAT CHAUD MOCCHA

Ajouter 60 ml (2 onces) de café expresso à une tasse de chocolat chaud

## (POUR ADULTES DE 21 ANS OU PLUS)

## LE CAPPUCCINO DE SAN FRANCISCO

Café expresso, chocolat chauffé à la vapeur, Brandy et sur le dessus chantilly et cannelle

## CAFÉ TIA MARIA

Café expresso, liqueur Tia Maria, et mousse de lait sur le dessus

## CAFÉ IRLANDAIS

Café expresso, whisky irlandais, et chantilly sur le dessus

## CAFÉ GRAND MARNIER

Café expresso, liqueur Grand Marnier, et sur le dessus Chantilly et un zeste d'orange

## CAFÉ TUACA

Café expresso, liqueur de Tuaca, et chantilly sur le dessus

## CAFÉ MEXICAIN

Café expresso, Kahlua, Tequila et chantilly sur le dessus

## CAFÉ VIENNA

Café expresso, Brandy, et chantilly sur le dessus

## CAFÉ ROMANO

Café expresso, Brandy et un zeste de citron

# PRECAUCIONES IMPORTANTES

Cuando se utiliza cualquier artefacto eléctrico siempre se deben seguir precauciones básicas de seguridad para evitar el riesgo de incendio, descarga eléctrica y/o lesiones, incluyendo las siguientes:

1. **LEA TODAS LAS INSTRUCCIONES ANTES DE UTILIZAR SU ELECTRODOMESTICO.**
2. **NO** toque las superficies calientes. Utilice las asas o perillas.
3. Para protegerse contra una descarga eléctrica, **NO** sumerja el cable, el enchufe o el artefacto en agua u otros líquidos.
4. Apague la cafetera posicionando la perilla de control en la posición de apagado “**O**”, desenchúfela del tomacorriente y espere que se enfríe antes de colocarle o retirarle piezas y antes de su limpieza.
5. **NO** opere ningún artefacto con un cordón o enchufe dañado, después de que el artefacto haya fallado o si se cae al suelo o se daña de cualquier otra manera. Regrese el artefacto al Centro de Servicio Oster® Autorizado más cercano para examinarlo, repararlo o para ajustarlo mecánica o eléctricamente.
6. El uso de accesorios no recomendados o vendidos por el fabricante del artefacto puede causar incendios, descargas eléctricas o lesiones corporales.
7. **NO** lo utilice al aire libre o para propósitos comerciales.
8. **NO** permita que el cable cuelgue del borde de la mesa o mostrador o que entre en contacto con superficies calientes.
9. **NO** coloque este artefacto sobre o cerca de quemadores de estufas de gas o eléctricas, ni dentro de un horno caliente.
10. **NO** utilice este artefacto para otro propósito que no sea para el que ha sido diseñado.
11. Coloque la cafetera sobre una superficie dura y nivelada para evitar la interrupción del flujo de aire debajo del artefacto.
12. Asegúrese de que la tapa del depósito de agua está apretada con seguridad antes de utilizar el artefacto.
13. **NO** retire la tapa o el compartimiento para el filtro hasta que la presión haya sido liberada por completo del artefacto. Ver la Sección “CUIDADO: PRESIÓN” para más detalles importantes.
14. Este artefacto eléctrico no está destinado para ser usado por personas (incluyendo niños) cuyas capacidades físicas, sensoriales o mentales estén disminuidas, o carezcan de experiencia y conocimiento, a menos que una persona responsable por su seguridad les haya supervisado o instruido en el uso de este electrodoméstico. Los niños deberán estar bajo supervisión para cerciorarse de que no jueguen con el artefacto eléctrico.
15. Se requiere estricta supervisión cuando las personas discapacitadas o los niños utilicen cualquier electrodoméstico o estén cerca de él.
16. Este artefacto no ha sido diseñado para funcionar mediante un temporizador externo ni un sistema de control remoto.
17. Este artefacto eléctrico ha sido diseñado para uso doméstico y aplicaciones similares tales como: uso de los empleados en las áreas de la cocina en comercios, oficinas u otros ambientes laborales; casas de campo; por huéspedes en hoteles, moteles, hosterías y otro tipo de ambiente tipo hotelero.

**ESTA UNIDAD ESTA DISEÑADA SOLO PARA USO DOMÉSTICO.**



# CONSERVE ESTAS INSTRUCCIONES

## (ÚNICAMENTE PARA PRODUCTOS DE 120 V Y 127 V CON CLAVIJAS PLANAS)

Este artefacto cuenta con un enchufe polarizado (una clavija es más ancha que la otra). Este enchufe entra sólo de una manera en un tomacorriente polarizado. Si el enchufe no entra correctamente en el tomacorriente, simplemente colóquelo al revés. Si todavía no entra, comuníquese con un electricista competente. De ninguna manera intente modificar o forzar la conexión diseñada como medida de seguridad.

## CUIDADO Y USO DE LA JARRA

Siga las siguientes instrucciones para reducir o eliminar el riesgo de romper la jarra:

- a. Esta jarra está diseñada para ser utilizada con su Cafetera para Café Espresso y Cappuccino Oster® por lo tanto nunca debe ser usada sobre las hornillas de una estufa, horno ni TAMPOCO EN UN HORNO MICROONDAS.
- b. **NO** coloque la jarra de vidrio caliente sobre una superficie fría o mojada.
- c. **NO** utilice una jarra quebrada o con un asa debilitada.
- d. **NO** limpie la jarra con polvos limpiadores, fibras metálicas o de lana o cualquier otro material abrasivo.
- e. Deseche la jarra inmediatamente si sus contenidos se evaporan al hervir.
- f. Proteja la jarra de filos, raspaduras o un manejo brusco.

**ADVERTENCIA:** Para reducir el riesgo de incendio o descarga eléctrica, no quite ninguna cubierta para dar servicio al artefacto. En el interior de la cafetera no se encuentra ninguna parte que pueda ser remplazada. Solamente el personal autorizado debe reparar la cafetera. El que usted abra la cubierta inferior para dar servicio al artefacto, anulará la garantía.

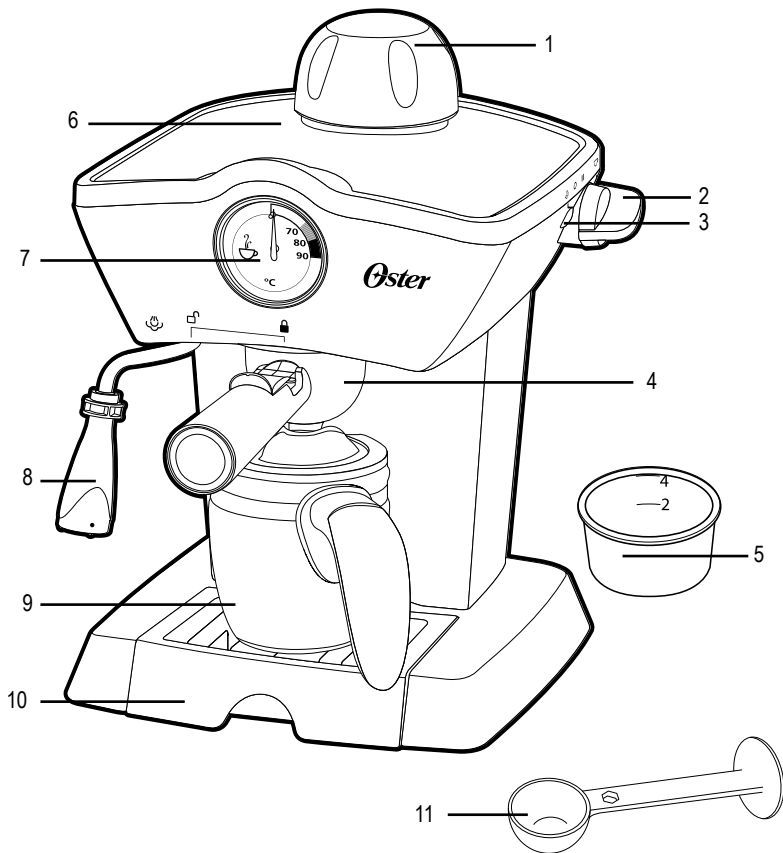
## INSTRUCCIONES ESPECIALES DEL CORDÓN ELÉCTRICO

1. El artefacto cuenta con un cable eléctrico corto como medida de seguridad para prevenir el riesgo de tropezar, tirar o enredarse con un cable más largo.
2. Puede utilizar cables de extensión si se observan las precauciones adecuadas.
3. Si se usa un cable de extensión, la capacidad nominal eléctrica del cable de extensión debe ser la misma de su artefacto. Coloque el cordón de extensión de manera que no cuelgue del borde del mostrador o mesa donde pueda tirarlo un niño o pueda tropezar con él accidentalmente.

## CUIDADO: LA PRESIÓN

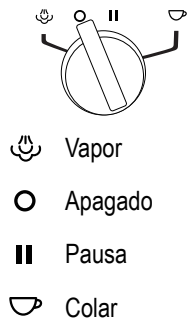
Para evitar posibles quemaduras en el cuerpo y/o lesiones de otro tipo NUNCA abra el depósito de agua o del compartimiento para el filtro mientras su Cafetera para Café Espresso y Cappuccino esté funcionando o mientras la presión del agua no haya sido completamente liberada. Ver la Página 4 para más detalles importantes.

# DESCRIPCIÓN DEL ARTEFACTO



- |                                 |                             |
|---------------------------------|-----------------------------|
| 1. Tapa del tanque de agua      | 7. Medidor de temperatura   |
| 2. Perilla de control           | 8. Tubo para espumar        |
| 3. Luz indicadora               | 9. Jarra de vidrio          |
| 4. Compartimento para el filtro | 10. Bandeja goteo removible |
| 5. Filtro                       | 11. Cuchara medidora        |
| 6. Tanque de agua               |                             |

## Perilla de Control:



# INTRODUCCIÓN

Felicidades! Usted ha seleccionado una Cafetera para Café Espresso y Cappuccino Oster®. Este artefacto único ha sido diseñado con la finalidad de ofrecerle un café espresso o cappuccino rápido y convenientemente.

El método para preparar café espresso es un método único en el que el agua caliente pasa a presión por los granos de café finamente molidos. Es muy popular en Europa, ya que tiene más cuerpo y sabor que el café colado de forma regular. Debido a su sabor concentrado, el café espresso es generalmente servido en porciones de 44 a 59 ml (1,5 a 2 onzas) en tasas pequeñas.

La mayoría de los que gustan del café espresso fuera de Europa prefieren el café cappuccino, una bebida preparada con aproximadamente un tercio de café espresso, un tercio de leche vaporizada o calentada por medio de vapor y un tercio de leche espumosa. La preparación del café espresso o del cappuccino es muy diferente de la preparación de café regular. Este artefacto funciona bajo presión y requiere atención especial.

Por favor lea cuidadosamente TODAS las instrucciones, advertencias, notas y cuidados en este Manual de Instrucciones antes de que inicie la operación de este artefacto. Cuando se está utilizando esta unidad, se forma un vacío a medida que ésta se va enfriando. Es muy importante que esta unidad se enfríe aproximadamente 15 minutos después de cada ciclo de preparación, para que el vacío sea liberado y la tapa y el compartimiento para el filtro puedan removerse de forma segura. El cuidado y mantenimiento adecuado deben asegurar la larga duración y funcionamiento sin problemas de la Cafetera para Café Espresso y Cappuccino Oster®. Conserve estas Instrucciones y consulte con frecuencia los consejos de cuidado y limpieza.

## CUIDADO: PRESIÓN

Para verificar que el artefacto se encuentra bajo presión siga los siguientes pasos:

1. Gire la perilla de control a la posición de apagado "○" y desconecte el artefacto.
2. Gire la perilla de control a la posición de vapor "☁". Si sale vapor del tubo para espumar, entonces el tanque de agua sigue bajo presión. Gire la perilla de control a la posición de apagado "○".
3. Para liberar la presión, sostenga la jarra con agua debajo del tubo para espumar y sumérjalo en el agua. LENTAMENTE GIRE LA PERILLA DE CONTROL A LA POSICIÓN DE VAPOR "☁" Y DEJE SALIR EL VAPOR.
4. Cuando el tubo para espumar deje de liberar vapor, gire a la posición de apagado "○" y remueva lentamente la tapa.
5. No remueva el compartimiento para el filtro en ningún momento durante el proceso de preparación o hasta que se haya liberado la presión.
6. Tenga cuidado cuando remueva la compartimiento para el filtro. Las partes metálicas pueden estar muy calientes todavía. También puede haber agua caliente flotando en la parte superior del filtro.
7. Si el café no gotea del compartimiento para el filtro, significa que este pueda estar bloqueado. Permita que el artefacto se enfríe, después deje salir el vapor siguiendo las instrucciones que se indican arriba. El bloqueo puede haber sido causado por café que esté molido demasiado fino. Consulte la sección de "PROBLEMAS Y SOLUCIONES".
8. CUANDO LIMPIE EL TUBO PARA ESPUMAR: Coloque la jarra para espumar o una taza grande con capacidad de por lo menos 325 ml (11 onzas) llene con agua a la mitad de la capacidad y coloque debajo del tubo para espumar. Verifique que la punta del TUBO PARA ESPUMAR esté sumergida en el líquido antes de girar la perilla de control a la posición de Vapor "☁". Espume el agua durante aproximadamente 15 segundos.

**NOTA:** Para que su unidad siempre trabaje de manera adecuada, limpie el tubo para espumar después de cada uso.

# COMO PREPARAR EN CASA CAFÉ ESPRESSO Y CAPPUCCINO DE CALIDAD

## EL CAFÉ

El café debe estar tostado y recién molido. Usted puede probar con una variedad tostada italiana o francesa. El café previamente molido solamente retendrá su sabor durante 7 a 8 días, siempre que éste sea almacenado en un contenedor cerrado, en un lugar frío y oscuro. No lo almacene en el refrigerador o en el congelador. Se recomienda que muele granos enteros justo antes de utilizarlos. Los granos de café almacenados en un contenedor cerrado conservaran su sabor durante 4 semanas.

## EL MOLIDO

Este es un paso vital en el proceso de preparación de café espresso y requiere mucha práctica. El café debe ser molido finamente.

- El molido correcto debe tener la misma consistencia de la sal.
- Si se muele demasiado fino, el agua no fluirá a través del café, aun bajo presión. El molido tiene la apariencia del polvo y se siente como harina cuando se frota entre los dedos.
- Si el café se muele demasiado áspero, el agua fluirá a través del café demasiado rápido, y el sabor no se extraerá completamente.

Asegúrese de usar un molino de calidad para obtener una consistencia uniforme en el molido de los granos de café que usará para preparar su café espresso. Los molinos de café con forma ovalada no se recomiendan ya que el molido que ofrecen no es consistente.

## ANTES DE PREPARAR SU PRIMERA JARRA DE CAFE ESPRESSO

Por favor refiérase a la sección “Descripción del Artefacto”.

1. Gire la perilla de control a la posición de apagado “O” y asegúrese de que el artefacto esté desconectado del tomacorriente.
2. Primero retire y después lave la jarra, tapa, filtro y el compartimiento para el filtro en una mezcla de detergente suave y agua. Enjuague cada parte completamente y colóquelas nuevamente en la cafetera. Consulte las instrucciones de cómo quitar y poner el filtro y el compartimiento para el filtro en la Sección “Cómo preparar Café Espresso”.
3. Para limpiar el interior de la cafetera, siga los pasos de la sección “Cómo Preparar Café Espresso,” utilizando solamente agua. No sumerja el artefacto en agua ni tampoco toque ninguna parte interna de la cafetera.

## COMO PREPARAR CAFÉ ESPRESSO

1. Gire la perilla de control a la posición de apagado “O”.
2. Llene la jarra de vidrio con agua fría hasta la marca del número deseado de porciones que va a preparar de café espresso o cappuccino. Nunca utilice agua tibia o caliente para llenar el tanque de agua. El siguiente cuadro describe cuánta agua debe utilizar según la cantidad deseada de porciones.

**NOTA:** Una porción de espresso es igual a 60 ml (2 onzas).

PORCIONES	CAFE ESPRESSO MOLIDO FINO	AGUA (FRIA)
2 tazas	Marca de 2 tazas en el filtro	Marca de 2 tazas en la jarra
4 tazas	Marca de 4 tazas en el filtro	Marca de 4 tazas en la jarra

3. Retire la tapa del tanque de agua y vierta el agua dentro del tanque. Asegúrese de medir correctamente la cantidad de agua que es requerida. No llene el tanque completamente, ya que no habrá espacio suficiente para la generación de vapor.

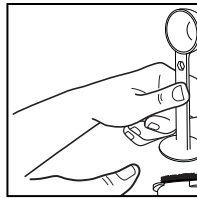
**ATENCIÓN:** No vierta agua dentro del tanque mientras el artefacto se encuentre en funcionamiento. Revise que la perilla de control se encuentre en la posición de apagado “O”.

4. Enrosque la tapa de nuevo en el depósito de agua. Asegúrese de que quede correctamente ajustada.

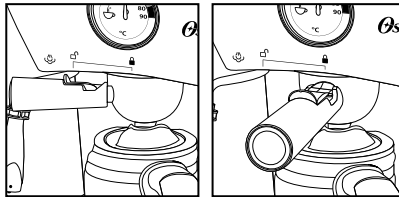
### COLOCANDO EL CAFÉ

1. Coloque el filtro en el compartimiento para el filtro.
2. Llene con café recién molido finamente hasta la marca de 2 ó 4 tazas indicadas en El filtro. No llene más allá de la marca de 4 tazas. Limpie cualquier exceso de café del borde del compartimiento para el filtro. Esto asegurará un ajuste correcto en la Cafetera.

**ATENCIÓN:** Comprima suavemente el café. No llene demasiado el filtro. Esto puede causar obstrucciones o derrames.



3. Coloque el compartimiento para el filtro debajo de la cabeza de preparación, coloque el compartimiento para el filtro moviendo primero el seguro hacia atrás, coloque el asa a la izquierda hasta que se ajuste en la ranura. Después, lentamente gire a la derecha hasta que el compartimiento para el filtro se localice en la posición de cierre.



## PREPARANDO CAFÉ ESPRESSO

**ATENCIÓN:** SI USTED VA A PREPARAR CAFE Cappuccino, POR FAVOR CONSULTE LA SIGUIENTE SECCIÓN “COMO PREPARAR CAFÉ Cappuccino.”

1. Verifique que la rejilla de goteo se encuentre en su lugar, sobre la bandeja de goteo.
2. Coloque la tapa sobre la jarra, para que la abertura de la tapa esté hacia el pico, y colóquela sobre la bandeja de goteo. El asa del compartimiento para el filtro y el asa de la jarra deben estar alineadas.
3. Verifique que la perilla de control se encuentre en la posición de apagado “O”.

4. Conecte el cable eléctrico en un tomacorriente y gire la perilla de control hacia arriba al símbolo “☰”, el cual inicia el proceso de preparación. La luz se encenderá para indicarle que la cafetera se encuentra funcionando.
5. El café espresso comenzará a fluir dentro de la jarra en aproximadamente tres a cinco minutos.
6. Cuando el café espresso haya terminado de fluir dentro de la jarra, gire la perilla de control a la posición de apagado “○”. Desconecte el cable eléctrico y permita que la Presión en la máquina sea liberada. Siga el procedimiento en la sección “CUIDADO: PRESIÓN” de la página 4.

**PRECAUCIÓN:** No retire la tapa del tanque o el compartimiento del filtro en ningún momento mientras el artefacto se encuentre bajo presión o hasta que se haya enfriado. Siga el procedimiento marcado “CUIDADO: PRESIÓN” para liberar la presión antes de retirar la tapa.

7. Una vez que la Cafetera se haya enfriado y que toda la presión haya sido liberada, saque el compartimiento del filtro de la cabeza de preparación. Usando el seguro para fijar el filtro en el soporte, gire el compartimiento del filtro hacia abajo para vaciarla. Enjuague el filtro y el compartimiento para el filtro con agua.

**PRECAUCIÓN:** Las partes metálicas del compartimiento del filtro pueden estar muy calientes. Asegúrese de usar el seguro del filtro cuando deseche el café molido. Enfríe estas partes enjugándolas bajo el chorro de agua fría.

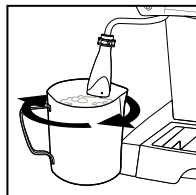
8. Para las instrucciones de limpieza, consulte la sección “Limpiando y Mantenimiento de Su Artefacto”.

## COMO PREPARAR CAFÉ CAPPUCCINO

El café cappuccino es café espresso con leche vaporizada y espuma de leche en la parte superior. El espumar la leche para el café cappuccino requiere práctica. No se desanime si no lo hace perfectamente la primera vez. La leche debe ser, la mitad vaporizada (la parte inferior de la jarra) y la mitad espumosa (la parte superior de la jarra). Puede tomarse varios intentos antes de que perfeccione este proceso.

Para mejores resultados, recomendamos espumar la leche en una jarra diferente y verter la leche en su taza de café. La leche y la jarra deben estar frías. No use una jarra que ha sido lavada recientemente con agua tibia. También recomendamos una jarra de acero inoxidable para espumar la leche y un termómetro para bebidas, si usted tiene uno, para así preparar la mejor leche vaporizada y espumosa.

1. El primer paso en la preparación del cappuccino es preparar el café espresso. Así que llene la jarra de vidrio con agua fría hasta la marca designada para el número de porciones deseadas. Nunca use agua tibia o caliente para llenar el Tanque de Agua. (Consulte el cuadro de “Cómo Preparar Café Espresso”)
2. Siga los pasos del 1 al 5 en la sección “preparación de café espresso”.
3. Llene una jarra pequeña de acero inoxidable o de cerámica a la mitad con leche fría y colóquela junto a la máquina. La leche descremada o del 2% es más fácil de espumar.
4. Si prepara 2 porciones, detenga la preparación de café espresso en la marca de 2 tazas. Gire la perilla de control a la posición de pausa “||”. Si prepara 4 porciones, Detenga la preparación de espresso en la marca de 4 tazas. Gire la perilla de control a la posición de pausa “||”.
5. Usted está ahora listo para espumar y vaporizar la leche. Sostenga la jarra debajo del tubo para espumar, de manera que el tubo para espumar esté ligeramente Sumergido en la leche. Gire lentamente la perilla de control a la posición de vapor “☁”. Mueva suavemente la jarra en forma circular alrededor de la punta de Vaporización durante aproximadamente 45 segundos. Recuerde: la leche y la jarra deben estar muy frías antes de hacer la espuma.



6. Cuando la leche haya duplicado su volumen, o si usted está usando un termómetro para bebidas, cuando la leche haya alcanzado los 38°C (100°F), inserte el tubo para espumar aun más adentro de la leche para calentarla más. No caliente la leche a más de 65°C(150°F). Para evitar salpicar leche caliente, no permita que el tubo para espumar quede por arriba de la superficie de la leche. Después de que haya terminado de hacer la espuma, gire la perilla de control nuevamente a la posición de apagado “○”.
7. Usted está ahora listo para preparar el café cappuccino. RECUERDE: Es 1/3 de café espresso, 1/3 de leche vaporizada y 1/3 de espuma de leche. Vierta el espresso en una taza con capacidad de por lo menos 150 ml (5 onzas). Después añada la leche vaporizada al espresso y utilizando una cuchara añada la espuma.
8. Siga las instrucciones en la página 4, en a sección marcada con “CUIDADO: PRESIÓN” para enjuagar cualquier residuo de leche que haya quedado en el tubo para espumar. Es importante limpiar correctamente el tubo para espumar después de que cada uso, para asegurarse que continúe trabajando correctamente. (Vea el Paso No. 2 en la siguiente sección)
9. Desconecte el cable eléctrico y permita que la cafetera se enfríe por completo. No retire la tapa del tanque o el compartimiento para el filtro hasta que la presión en la Cafetera haya sido liberada por completo. Siga los procedimientos en la sección marcada con “CUIDADO: PRESIÓN” en la página 4 para liberar la presión.

## LIMPIEZA Y MANTENIMIENTO

1. Apague la unidad y desconecte el cable eléctrico del tomacorriente.
2. El tubo para espumar puede estar muy caliente todavía, no lo toque con las manos hasta que se haya enfriado. Saque el tubo para espumar y limpie el tubo para espumar con un paño húmedo. Usando la llave que se encuentra en la cuchara medidora, desenrosque el tubo para espumar y limpie la válvula con una aguja o con un palillo de madera.
3. La jarra, la tapa de la jarra, el filtro, el compartimiento para el filtro y la bandeja pueden lavarse con agua y jabón o colocarse solamente en la rejilla superior de la lavadora de platos. PRECAUCIÓN: No sumerja el artefacto en agua. No retire la tapa del tanque o del compartimiento para el filtro mientras la cafetera se encuentra bajo presión. Consulte la sección marcada con “CUIDADO: PRESIÓN” en la Página 4.
4. Una vez que la presión haya sido liberada, retire la tapa del tanque. Deseche el agua remanente a través de la abertura superior del tanque de agua, volteando el artefacto de cabeza sobre el lavaplatos. Siempre vacíe el tanque de agua después de usarlo. No sumerja la cafetera en agua. Enrosque la tapa del tanque nuevamente en su lugar.
5. Limpie el exterior del artefacto con un paño suave y húmedo. No utilice limpiadores abrasivos o esponjas que puedan dañar el acabado de su cafetera.
6. No almacene el soporte del filtro dentro de la cabeza de preparación. Esto puede afectar el sello que se encuentra entre la cabeza de preparación y el compartimiento para el del filtro mientras se prepara el café espresso.

### DESCALCIFICANDO

Los depósitos minerales que se acumulan en su Cafetera para Café Espresso y Cappuccino pueden afectar la operación de su aparato. Su Cafetera debe ser descalcificada cuando comience a notar un incremento en el tiempo de preparación de café, o cuando el aparato genere vapor en exceso. También, usted puede notar una acumulación de depósitos blancos en la superficie de la cabeza de preparación.

La frecuencia de limpieza depende de la dureza del agua que se utiliza. La siguiente tabla le ofrece intervalos de limpieza sugeridos.

### INTERVALOS DE LIMPIEZA SUGERIDOS

#### Tipo de agua

Agua suave (Agua filtrada)

Agua dura (Agua de grifo)

#### Frecuencia de limpieza

Cada 80 ciclos de preparación

Cada 40 ciclos de preparación

## PARA DESCALCIFICAR EL TANQUE DE AGUA:

1. Verifique que la perilla de control se encuentre en la posición de apagado “○” y que el cable eléctrico esté desconectado del tomacorriente.
2. Si el artefacto está frío y la presión ha sido liberada, (Consulte la sección “CUIDADO: PRESIÓN” en la Página 4) retire la tapa del tanque y llene el tanque con vinagre blanco de uso casero sin diluir.
3. Permita que la solución de vinagre repose en el tanque del artefacto durante toda la noche.
4. Deseche el vinagre a través de la abertura superior de la Cafetera para Espresso y Cappuccino, volteando el artefacto sobre el lavaplatos.
5. Enjuague completamente el tanque de agua, usando agua de grifo y llenando el tanque a la mitad. Después vierta el agua sobre el lavaplatos, repita este paso dos veces.

## PARA DESCALCIFICAR LAS PARTES INTERNAS:

1. Verifique que usted ha descalcificado el interior del tanque de agua primero, siguiendo los pasos de la sección anterior “Descalcificando”.
2. Verifique que todos los controles estén apagados, que el cable eléctrico esté desconectado del tomacorriente, que el artefacto esté frío y que la presión en el mismo haya sido liberada. (Consulte la Sección “CUIDADO: PRESIÓN” en la Página 4). Llene la jarra con vinagre hasta la parte superior de la banda metálica y viértalo dentro del tanque.
3. Enrosque la tapa en la parte superior del tanque de agua. Verifique que la tapa esté firmemente colocada.
4. Inserte el compartimiento para el filtro (incluyendo filtro) y coloque la jarra de vidrio con su tapa sobre la bandeja para goteo.
5. Conecte el cable eléctrico en el tomacorriente.
6. Gire la perilla de control a la posición de “☪”. Cuando el vinagre comience a fluir dentro de la jarra. Coloque una taza de agua fría debajo del tubo para espumar. Sumerja el tubo para espumar dentro del agua y lentamente gire la perilla de control a la posición de “☺”. Esto limpiará cualquier residuo que haya quedado en el tubo para espumar leche.
7. Gire la perilla de control a la posición de “☪”. Cuando todo el vinagre haya sido bombeado dentro de la jarra y el flujo se haya detenido, gire la perilla de control a la posición de apagado “○” y permita que el artefacto se enfríe.
8. Repita los pasos del 1 al 7 utilizando solamente agua de grifo para enjuagar el vinagre que haya quedado en la Cafetera. Repita este proceso de enjuague, permitiendo que la Cafetera se enfríe y que la presión se libere antes de cada enjuague.

## LIMPIEZA DE LA JARRA

El agua dura puede dejar depósitos de minerales color blanco dentro de la jarra. El café decolora estos depósitos, algunas veces dejando unas manchas color café en el interior de la jarra. Para remover estas manchas, siga los siguientes simples pasos:

1. Use una solución con partes iguales de agua caliente y vinagre blanco.
2. Deje que la solución repose en la Jarra durante aproximadamente 20 minutos y después deséchela.
3. Lave y enjuague la jarra completamente usando un paño suave. No use limpiadores abrasivos. Estos pueden dañar el acabado de la jarra, rayándola y causando que se pueda romper.



# PROBLEMAS Y SOLUCIONES

PROBLEMA	CAUSA	SOLUCIONES
El café no sale	<ul style="list-style-type: none"> <li>• No hay agua en el depósito</li> <li>• El café está molido demasiado fino</li> <li>• Hay demasiado café en el filtro</li> <li>• La tapa no está bien cerrada, el vapor se escapa</li> <li>• El artefacto no fue encendido o conectado</li> <li>• El café se ha comprimido demasiado</li> </ul>	<ul style="list-style-type: none"> <li>• Añada agua.</li> <li>• Muela los granos de café a un término medio</li> <li>• Llene el filtro solamente hasta la marca de 4 tazas</li> <li>• Apriete la tapa</li> <li>• Conecte la unidad en la toma de corriente. Encienda</li> <li>• Rellene el compartimiento para filtro con café. NO COMPRIMA</li> </ul>
El café sale alrededor del borde del compartimiento para el filtro	<ul style="list-style-type: none"> <li>• El soporte para filtro no ha rotado completamente a "cerrado"</li> <li>• Hay granos de café alrededor del borde del compartimiento para el filtro</li> <li>• Hay demasiado café en la canasta del filtro</li> </ul>	<ul style="list-style-type: none"> <li>• Gire el soporte del filtro completamente a su posición para asegurar</li> <li>• Limpie el borde, llene solamente hasta la marca de 4 tazas</li> <li>• Llene solamente hasta la marca de 4 tazas</li> </ul>
No se genera vapor	<ul style="list-style-type: none"> <li>• El tanque de agua está vacío</li> <li>• Hay demasiada agua en el tanque – no hay espacio para el vapor</li> <li>• El aparato no está encendido</li> <li>• El tubo para espumar está bloqueado</li> </ul>	<ul style="list-style-type: none"> <li>• Llene el depósito de agua con la cantidad correcta de agua. Consulte las páginas 5 y 6</li> <li>• Vacíe un poco de agua del tanque. Consulte la página 8</li> <li>• Encienda la unidad con la perilla de control</li> <li>• Después de la etapa para espumar, opere la función para espumar durante 1 ó 2 segundos y extraer el exceso de leche. O bien, apague la unidad, permita que se enfríe, desconecte de la toma de corriente y limpie el tubo para espumar con una aguja o palillo de dientes</li> </ul>
La leche no queda espumosa	<ul style="list-style-type: none"> <li>• Se terminó el vapor.</li> <li>• La leche no está lo suficientemente fría</li> </ul>	<ul style="list-style-type: none"> <li>• Vierta la cantidad requerida de agua para preparar café cappuccino. Consulte la página 7</li> <li>• Enfríe la leche y la jarra para espumar antes de la preparación de café cappuccino</li> </ul>
El café sale demasiado rápido	<ul style="list-style-type: none"> <li>• El café está molido demasiado áspero</li> <li>• No hay suficiente café en el compartimiento para el filtro</li> </ul>	<ul style="list-style-type: none"> <li>• Use un café molido más finamente.</li> <li>• Use más café</li> </ul>
El café salpica fuera del tubo para espumar	<ul style="list-style-type: none"> <li>• El tanque de agua está vacío o bajo, no hay suficiente presión</li> </ul>	<ul style="list-style-type: none"> <li>• Una vez que la unidad se ha enfriado, use más agua para preparar café espresso</li> </ul>

# IDEAS DE RECETAS QUE LE ENCANTARÁ PROBAR!

## **CAFÉ CON CHOCOLATE**

30 ml (1 onza) de jarabe de chocolate, una parte de expreso, 237 ml (1 taza) de espuma de leche

## **CAFÉ AMERICANO**

1/2 expreso y 1/2 agua caliente

## **CAFÉ MACCHIATO**

1/3 de expreso y 2/3 de leche vaporizada

## **CAFÉ LATTE**

1/4 expreso y 3/4 leche vaporizada, vierta ambos en una taza al mismo tiempo

## **CAFÉ AU LAIT**

1/2 expreso, 1/2 leche vaporizada

## **CHOCOLATE CALIENTE**

Añada 60 ml (2 onzas) de expreso a una taza de chocolate caliente

## **(PARA ADULTOS MAYORES DE 21 AÑOS)**

### **Cappuccino SAN FRANCISCO**

Expreso, chocolate caliente vaporizado, Brandy, crema y canela en la parte superior

### **CAFÉ IRLANDÉS**

Expreso, whisky irlandés, crema batida en la parte superior

### **CAFÉ TUACA**

Espresso, licor de Tuaca, crema batida en la parte superior

### **CAFÉ VIENA**

Expreso, Brandy, crema batida en la parte superior

### **CAFÉ TÍA MARÍA**

Expreso, licor Tía María, espuma de leche en la parte superior

### **CAFÉ GRAND MARNIER**

Expreso, licor Grand Marnier, crema batida y ralladura de naranja en la parte superior

### **CAFÉ MEXICANO**

Expreso, Kahlua, Tequila, crema batida en la parte superior

### **CAFÉ ROMANO**

Expreso, Brandy y unas gotitas de limón

# PRECAUÇÕES IMPORTANTES

Ao utilizar um eletrodoméstico é necessário seguir algumas precauções básicas de segurança para evitar o risco de incêndio, descarga elétrica ou lesões, incluindo as que seguem:

1. **LEIA TODAS AS INSTRUÇÕES ANTES DE USAR O APARELHO.**
2. **NÃO** toque as superfícies quentes. Usar as agarradeiras ou os botões.
3. Para se proteger de uma descarga elétrica, **NÃO** submergir o fio, o plugue ou o aparelho na água ou outros líquidos.
4. Desligue o aparelho colocando o botão de controle na posição de desligado “O” e desligue-o da tomada e espere que esfrie antes de colocar ou retirar peças, ou antes, de sua limpeza.
5. **NÃO** se deve utilizar nenhum aparelho que esteja com o fio ou o plugue danificado, se o mesmo estiver apresentando falhas, caso tenha caído no chão ou sido danificado de alguma outra maneira. Leve o aparelho ao Centro de Serviço Técnico Autorizado Oster® mais próximo para que seja examinado ou para conserto de problemas mecânicos ou elétricos.
6. O uso de acessórios não recomendados ou vendidos pelo fabricante do aparelho poderão causar incêndios, descargas elétricas ou lesões corporais.
7. **NÃO** utilize o aparelho ao ar livre ou para fins comerciais.
8. **NÃO** deixe que o fio fique pendurado na borda da mesa ou balcão ou que toque superfícies quentes.
9. **NÃO** coloque este aparelho sobre ou próximo às bocas do fogão a gás ou elétrico, nem dentro de um forno quente.
10. **NÃO** utilize este aparelho para fins que não sejam aqueles aos quais ele tenha sido desenvolvido.
11. Coloque a cafeteira sobre uma superfície rígida e nivelada para evitar a interrupção do fluxo de ar na parte inferior do aparelho.
12. Certifique-se de que a tampa do depósito de água esteja seguramente fechada antes de utilizar o aparelho.
13. **NÃO** retire a tampa nem o compartimento do filtro até que toda a pressão do aparelho tenha sido liberada. Veja a seção “CUIDADO: PRESSÃO” para maiores detalhes.
14. Este aparelho elétrico não está destinado a ser usado por pessoas (incluindo crianças) cujas capacidades físicas, sensoriais ou mentais estejam reduzidas ou careçam de experiência e conhecimento necessários para utilizá-lo, a menos que uma pessoa responsável por sua segurança tenha supervisionado ou instruído quanto ao uso deste eletrodoméstico. As crianças deverão estar sob supervisão para garantir que **NÃO** brinquem com o aparelho elétrico.
15. É necessária a estrita supervisão quando se utilize o eletrodoméstico próximo a crianças ou pessoas incapacitadas.
16. Este aparelho não deve ser usado com um timer externo ou um sistema de controle remoto separado.
17. Este aparelho elétrico foi desenvolvido para usos doméstico e similares, tais quais; para uso de funcionários na cozinha de lojas, escritórios e outros ambientes de trabalho, casas de campo, por hóspedes de hotéis, pousadas, albergues e outros tipos de ambientes hoteleiros.

**ESTE APARELHO FOI DESENVOLVIDO SOMENTE PARA USO DOMÉSTICO.**

# GUARDE ESTAS INSTRUÇÕES

## (SOMENTE PARA PRODUTOS DE 120 V E 127 V COM DOIS PINOS PLANOS)

Este aparelho conta com um plugue polarizado (uma ponta é mais larga que a outra). Este plugue só entra de uma forma na tomada polarizada. Caso o plugue não entre facilmente na tomada, simplesmente coloque-o ao revés. Se mesmo assim ainda não entrar, comunique-se com um electricista competente. Não tente forçar ou modificar desta medida de segurança de nenhuma forma.

## CUIDADO E USO DA JARRA

Para reduzir ou eliminar o risco de quebra da jarra, as seguintes instruções devem ser seguidas:

- Esta jarra foi desenvolvida para ser utilizada exclusivamente com sua Cafeteira a Vapor para Espresso e Cappuccino Oster® e, portanto nunca deve ser usada no fogão, forno ou NEM MESMO EM UM FORNO MICROONDAS.
- NÃO** coloque a jarra de vidro quente sobre uma superfície fria ou molhada.
- NÃO** utilize uma jarra quebrada ou com a agarradeira solta.
- NÃO** limpe a jarra com sapólio, palhas de aço ou qualquer outro material abrasivo.
- Caso o conteúdo da jarra se evapore ao ferver será necessário jogar a jarra fora.
- Proteja a jarra de superfícies afiadas, para que não seja arranhada ou não a manuseie de forma brusca.

**ADVERTÊNCIA:** Para reduzir o risco de incêndio ou descarga elétrica, não tire nenhuma tampa para consertar o aparelho. No interior da cafeteira não há nenhuma peça que possa ser substituída. Somente o pessoal autorizado deve consertar o aparelho. A garantia será anulada, caso a tampa inferior seja removida pelo usuário.

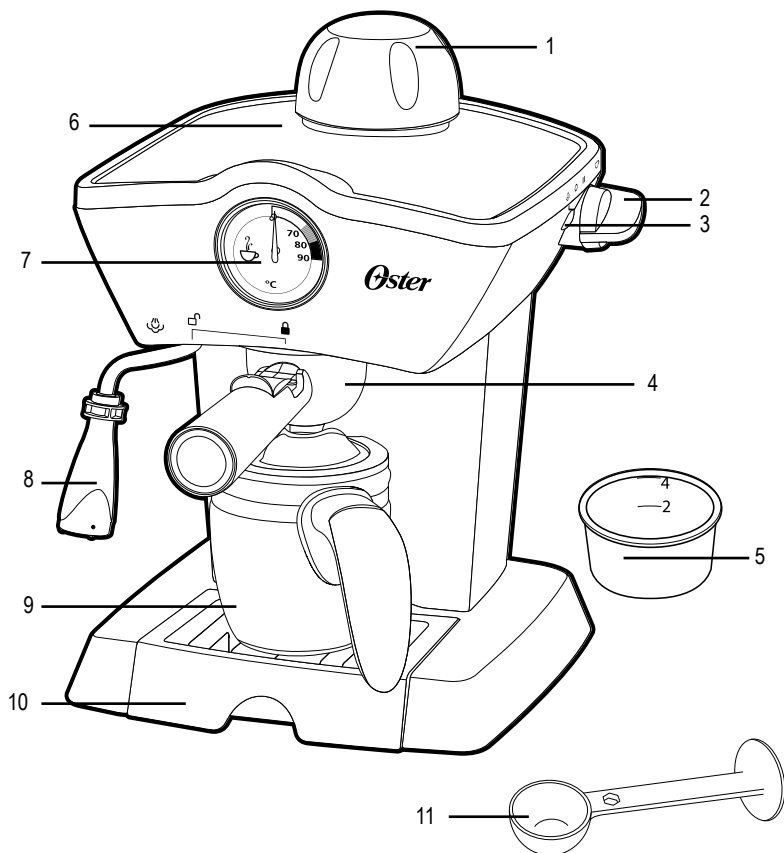
## INSTRUÇÕES ESPECIAIS PARA O FIO ELÉTRICO

- O aparelho conta com um fio elétrico curto como medida de segurança para prevenir o risco de tropeços ou puxões com um fio mais comprido.
- O uso de um fio de extensão somente deve ser utilizado se forem observadas as devidas precauções.
- Caso seja utilizado um fio de extensão, a capacidade elétrica nominal do mesmo deve ser igual a do eletrodoméstico. Coloque o fio de extensão de forma que não fique pendurado na borda do balcão ou da mesa para evitar que uma criança acidentalmente puxe ou tropece.

## CUIDADO: A PRESSÃO

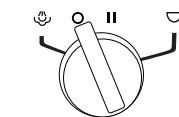
Para evitar possíveis queimaduras no corpo ou lesões, NUNCA abra o depósito de água ou o compartimento do filtro enquanto a Cafeteira para Espresso e Cappuccino estiver funcionando ou enquanto a pressão da água não tenha sido completamente liberada. Veja a página 4 para maiores detalhes.

# DESCRIÇÃO DO APARELHO



1. Tampa do tanque de água
2. Botão de controle
3. Luz indicadora
4. Compartimento do filtro
5. Filtro
6. Tanque de água
7. Medidor da temperatura
8. Tubo de vapor para espumar
9. Jarra de vidro
10. Bandeja coletora removível
11. Colher Medidora

## Botão de Controle:



Vapor

Desligado

Pausa

Preparar Café

# INTRODUÇÃO

Parabéns por haver escolhido uma Cafeteira para Espresso e Cappuccino Oster®! Este aparelho foi desenvolvido com a finalidade de fazer café expresso ou cappuccino de forma rápida e prática.

O preparo do café expresso é um método no qual a água quente passa com força pó fino de café moído. É muito popular na Europa e é mais forte e encorpado que o café coado de forma regular. Graças ao seu sabor concentrado, o café expresso é geralmente servido em porções de 44 a 59 ml (1,5 a 2 onças) em xícaras pequenas.

A maioria daqueles que gosta de café expresso fora da Europa, preferem o cappuccino, que é uma bebida preparada com aproximadamente um terço de café expresso, um terço de leite esquentado no vapor e um terço de leite espumado. O preparo do café expresso ou do cappuccino é muito diferente ao preparo do café coado. Este aparelho funciona com pressão e requer atenção especial.

Favor ler cuidadosamente TODAS as instruções, advertências, observações e cuidados incluídos neste Manual de Instruções antes de usar este aparelho pela primeira vez. Quando estiver utilizando este aparelho, forma-se um vácuo à medida que o mesmo vai esfriando. É muito importante que o aparelho esfrie por aproximadamente 15 minutos após o término de cada ciclo de preparação para que o vácuo seja liberado e a tampa e o compartimento do filtro possam ser removidos com segurança. O cuidado e a manutenção adequada são importantes para garantir a durabilidade e o funcionamento da Cafeteira para Espresso e Cappuccino Oster®. Guarde estes instruções e consulte com frequência as sugestões de cuidado e limpeza.

## CUIDADO: PRESSÃO

Para verificar se o eletrodoméstico está sob pressão, siga os seguintes passos:

1. Gire o botão de controle colocando-o na posição de desligado “○” e desconecte o aparelho da tomada.
2. Giro botão de controle colocando-o na posição de vapor “☁”. Caso saia vapor do tubo para espumar, significa que o tanque de água continua sobre pressão. Gire o botão de controle colocando-o na posição de desligado “○”.
3. Para liberar a pressão, mantenha a jarra com água em baixo do tubo para espumar e submergir o tubo na água. GIRE O BOTÃO LENTAMENTE COLOCANDO-O NA POSIÇÃO DE VAPOR “☁” E DEIXE A PRESSÃO SAIR.
4. Quando o tubo de vapor para espumar parar de liberar vapor, gire o botão de controle colocando-o na posição de apagado “○” e tire a tampa lentamente.
5. Não tire o compartimento do filtro em nenhum momento durante o processo de preparo o até que toda a pressão tenha sido liberada.
6. Tome cuidado ao retirar o compartimento do filtro. As peças metálicas ainda podem estar muito quentes. Também pode haver água quente na parte superior do filtro.
7. Se o café não pingar, o compartimento do filtro está entupido. Deixe que o aparelho se esfrie, depois deixe que o vapor saia seguindo as instruções acima. O entupimento pode ter sido causado pelo café que foi moído muito fino. Consulte a seção “PROBLEMAS, CAUSAS E SOLUÇÕES”.
8. QUANDO FOR LÍMPAR O TUBO DE VAPOR PARA ESPUMAR: Coloque a jarra para espuma ou uma xícara grande com capacidade de pelo menos 325 ml (11 onças) encha com água até a metade e coloque abaixo do tubo. Certifique-se de que a ponta do tubo para espumar esteja submerso no líquido antes de girar o botão de controle até a posição de vapor “☁”. Espume a água por aproximadamente 15 segundos.

**OBSERVAÇÃO:** Para garantir que seu aparelho funcione sempre de maneira adequada, limpe o tubo para espumar toda vez que for usado

# COMO PREPARAR EM CASA CAFÉ EXPRESSO E CAPPUCCINO COM QUALIDADE

## O CAFÉ

O café deve estar torrado e recém moído. Você pode provar café torrado do tipo italiano ou francês. O café já moído somente retém o seu sabor por 7 ou 8 dias se estiver guardado em um recipiente fechado, um local frio e escuro. Não guardar no refrigerador ou no congelador. É recomendado que os grãos inteiros sejam moídos pouco antes de serem utilizados. Os grãos de café guardados em um recipiente fechado conservam o sabor por 4 semanas.

## O TIPO DE MOÍDO

Este é um passo vital no processo de preparo do café expresso e requer muita prática. O café deve ser moído fino.

- O café deve ser moído à mesma consistência que o sal.
- Caso seja moído muito fino, a água não passará através do café, mesmo quando sob pressão. Neste caso o café moído terá uma aparência de pó e tem uma consistência parecida à da farinha quando friccionado entre os dedos.
- Se o café for moído com uma consistência muito áspera, a água passará através do café rápido demais e o sabor não será totalmente extraído

Use um moedor de qualidade para obter uma consistência uniforme ao moer os grãos de café que for usar para preparar seu expresso. Os moedores de café com formato oval não são recomendados por não moerem de forma consistente.

## ANTES DE PREPARAR SUA PRIMEIRA JARRA DE CAFÉ EXPRESSO

Por favor, veja a seção “Descrição do Aparelho”.

1. Vire o botão de controle para a posição de apagado “○” e certifique-se de que o aparelho esteja desconectado da tomada.
2. Primeiro retire e depois lave a jarra, a tampa, o filtro e o compartimento do filtro com água e detergente suave. Enxágue cada parte completamente e coloque-as novamente na cafeteira. Consulte as instruções de como tirar e por o filtro e o compartimento do filtro na seção “Como preparar Café Expresso”.
3. Para limpar o interior da cafeteira, siga os passos da seção “Como Preparar Café Expresso” utilizando somente água. Não se deve submergir o aparelho em água nem toque em nenhuma parte interna da cafeteira.

## COMO PREPARAR CAFÉ EXPRESSO

1. Gire o botão de controle colocando-o na posição de desligado “○”.
2. Encha a jarra de vidro com água fria até a marca que indica o número desejado de porções que você vai preparar de café expresso ou cappuccino. Nunca utilize água morna ou quente para encher o tanque de água. O seguinte quadro descreve quanta água deve ser utilizada segundo a quantidade desejada de porções.

**OBSERVAÇÃO:** Uma porção de expresso é igual a 60 ml (2 onças).

PORÇÕES	CARÉ EXPRESSO MOÍDO FINO	ÁGUA (FRIA)
2 xícaras	Marca de 2 xícaras no filtro	Marca de 2 xícaras na jarra
4 xícaras	Marca de 4 xícaras no filtro	Marca de 4 xícaras na jarra

3. Retire a tampa do tanque de água e ponha a água dentro do tanque. Certifique-se de medir corretamente a quantidade de água que é requerida. Não encha o tanque completamente, uma vez que não haverá espaço suficiente para a geração de vapor.

**CUIDADO:** Não ponha água dentro do tanque durante o funcionamento do aparelho. Certifique que o botão de controle se encontre na posição de desligado “O”.

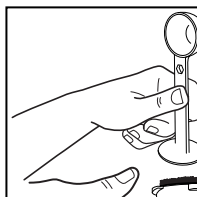
4. Enrosque a tampa novamente na parte superior do tanque. Verifique que se encontra corretamente colocada.

## PREPARANDO O CAFÉ

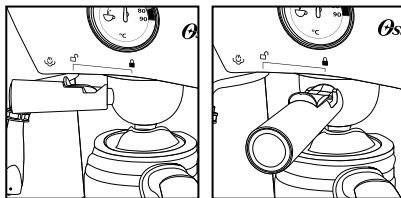
1. Coloque o filtro no seu compartimento.

2. Encha com café recém moído finamente até a marca de 2 ou 4 xícaras indicadas no Filtro. Não encha mais do que a marca de 4 xícaras. Limpe qualquer excesso de café da borda do filtro. Isso assegurará um ajuste correto do mesmo.

**ATENÇÃO:** Comprima suavemente o café. Não encha demasiado o filtro. Isto pode causar obstruções ou derrames.



3. Coloque o compartimento do filtro debaixo da cabeça de preparação, coloque-o movendo primeiro a trava de segurança para trás, coloque a alça para a esquerda até que se ajuste na ranhura. Depois, lentamente gire para a direita até que o compartimento do filtro esteja na posição de fechado.



## PREPARANDO CAFÉ EXPRESSO

**ATENÇÃO: SE VOCÊ VAI PREPARAR CAFÉ CAPUCCINNO, CONSULTE A SEGUINTE SEÇÃO “COMO PREPARAR CAPUCCINNO”.**

1. Certifique-se que a grade removível encontra-se em seu lugar, ou seja, sobre a bandeja.
2. Coloque a tampa sobre a jarra e certifique-se que a abertura da tampa fique onde está o bico, e coloque sobre a grade. A alça do compartimento do filtro e a alça da jarra devem ficar alinhadas.
3. Certifique-se que o botão de controle se encontre na posição de desligado “O”.



4. Conecte o fio elétrico em uma tomada e gire o botão de controle até em cima do símbolo “☺”, o qual iniciara o processo de preparação. A luz se acenderá para indicar que a cafeteira se encontra funcionando.
5. O café expresso começara a fluir dentro da jarra em aproximadamente três a cinco minutos.
6. Quando o café expresso tiver terminado de fluir dentro da jarra, gire o botão de controle para a posição de desligado “○”. Desconecte o fio elétrico e permita que a pressão do aparelho seja liberada. Siga e procedimento marcado na seção “CUIDADO: PRESSÃO” na Página 4.
 

**CUIDADO:** Não retire a tampa do tanque ou a compartimento do filtro em nenhum momento enquanto o aparelho estiver sobre pressão ou até que se tenha esfriado. Siga as instruções da seção “CUIDADO: PRESSÃO” para liberar a pressão antes de retirar a tampa do tanque ou o compartimento do filtro
7. Uma vez que a cafeteira se tenha esfriado e que toda a pressão tenha sido liberada, retire o compartimento do filtro da cafeteira. Utilize a trava para segurar o filtro no seu compartimento e vire-o de cabeça para baixo para esvaziá-lo. Enxágue o filtro e o compartimento de filtro com água.
 

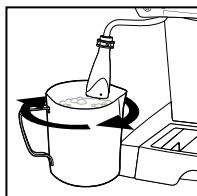
**CUIDADO:** As peças metálicas, ou seja, o filtro e o compartimento do filtro podem estar muito quentes. Deve-se usar a trava para segurar o filtro ao despejar o pó. Deixe que essas peças se esfriem embaixo da água.
8. Consulte a seção “Limpeza e Manutenção” para seguir as instruções de limpeza.

## COMO PREPARAR CAPPUCCINO

O cappuccino é feito com café expresso, leite espumado e espuma de leite na parte superior. O preparo da espuma de leite requer prática. Não desanime caso não saia perfeito na primeira vez. O leite deve ser metade espumado (a parte inferior da jarra) e metade com espuma de leite (a parte superior da jarra). Poderá levar algumas tentativas até que você consiga preparar bem o leite.

Para obter melhores resultados, recomendamos espumar o leite em uma jarra diferente à que vem com a cafeteira e quando preparado, sirva na xícara de café. O leite e a jarra devem estar frios. Não use uma jarra que tenha sido lavada com água morna. Também recomendamos uma jarra de aço inoxidável para preparar o leite espumado e um termômetro para bebidas, caso tenha um, pois isso facilitará o preparo do leite espumado e da espuma de leite.

1. O primeiro passo no preparo do cappuccino é o preparo do café expresso. Sendo assim, encha a jarra de vidro com água fria até a marca indicando o número de porções desejadas. Nunca use água morna ou quente para encher o tanque de água. (Consulte o quadro na seção “Como Preparar Café Expresso”).
2. Siga os passos de 1 a 5 na seção “Preparando Café Expresso”.
3. Coloque leite frio até a metade de uma pequena jarra de aço inoxidável ou de louça e coloque-a próxima à cafeteira. O leite com 2% de gordura é o ideal para preparar espuma de leite.
4. Se desejar preparar 2 porções, pare processo de preparo de café expresso na marca de 2 xícaras na jarra. Gire o botão de controle colocando-o na posição de pausa “||”. Se desejar preparar 4 porções, pare processo de preparo de café expresso na marca de 4 xícaras na jarra. Gire o botão de controle colocando-o na posição de pausa “||”.
5. Agora você estará pronto para arear o leite e preparar a espuma de leite. Mantenha a jarra em baixo do tubo de vapor de maneira que o bico esteja ligeiramente submerso no leite. Gire o botão de controle ligeiramente até a posição de vapor “☺”. Movimente cuidadosamente a jarra em círculos ao redor do bico durante aproximadamente 45 segundos. LEMBRE-SE: O leite e a jarra devem estar bem frios antes de começar o processo.



- Quando o volume do leite tiver duplicado, ou se você estiver usando um termômetro para bebidas, quando o leite estiver a 38°C (100°F), inserir o bico do tubo para espumar mais fundo no leite para esquentá-lo ainda mais. Não esquentar o leite acima de 65°C (150°F). Para evitar que o leite quente vaze ou espirre, não deixe que o bico do tubo de vapor fique muito próximo à superior do leite. Quando tiver terminado de preparar o leite espumado e preparar a espuma de leite, gire o botão de controle novamente para a posição de desligado “O”.
- Agora você está pronto para preparar o cappuccino. LEMBRE-SE: O cappuccino deve ser preparado com 1/3 de café expresso, 1/3 de leite espumado e 1/3 de espuma de leite. Despeje o café expresso em uma xícara de pelo menos 150 ml (5 onças). Depois adicione o leite espumado ao expresso e com uma colher adicione a espuma de leite por cima.
- Siga as instruções da seção “CUIDADO: PRESSÃO” na página 4 ao enxaguar qualquer resíduo de leite que tenha ficado no tubo de vapor. É importante limpar bem o tubo de vapor toda vez que for usado para que o funcionamento adequado (Veja a instrução número 2 na próxima seção).
- Desligue o plugue da tomada e deixe que a cafeteira esfrie completamente. Não tire a tampa do tanque ou o compartimento do filtro até que a pressão da Cafeteira tenha sido totalmente liberada. Siga os passos indicados na seção “CUIDADO: PRESSÃO” na página 4 para liberar toda a pressão.

## LIMPEZA E MANUTENÇÃO

- Desligue a cafeteira girando o botão de controle na posição “O” e desconecte o plugue da tomada.
- O tubo de vapor ainda poderá estar muito quente, não o toque com as mãos até que tenha esfriado completamente. Tire o bico e limpe o tubo de vapor com um pano úmido. Use a chave que se encontra na colher medidora para desenroscar o bico e limpe a válvula com uma agulha ou um palito de dentes de madeira.
- A jarra, a tampa da jarra, o filtro, o compartimento do filtro e a bandeja podem ser lavados com água e sabão ou podem ser colocados na grade superior de uma máquina de lavar louça. CUIDADO: Não se deve submergir o aparelho na água. Não abra a tampa ou o compartimento do filtro enquanto a cafeteira estiver com pressão. Consulte a seção “CUIDADO: PRESSÃO” para maiores detalhes na página 4.
- Uma vez que a pressão tenha sido liberada, tire a tampa do tanque. Despeje a água remanescente pela abertura superior do tanque de água, virando o aparelho de cabeça para baixo sob a pia. O tanque de água deve ser sempre esvaziado após o uso. Não se deve submergir a cafeteira na água. Feche a tampa do tanque novamente em seu lugar.
- Limpe o exterior do aparelho com um pano macio e úmido. Não use produtos abrasivos ou esponjas ásperas que possam danificar a superfície e o acabamento de sua cafeteira.
- Não guarde a cafeteira com o compartimento do filtro montado no cabeçote da cafeteira. Isso poderá afetar a capacidade de impermeabilização entre o compartimento do filtro e o cabeçote da cafeteira.

## REMOVENDO O CÁLCIO

Os depósitos minerais que se acumulam em sua Cafeteira para Espresso e Cappuccino podem interferir no funcionamento de seu aparelho. O depósito de cálcio na Cafeteira deve ser feito quando começar a notar um aumento no tempo de preparo do café ou quando o aparelho começa a gerar vapor em excesso. Você também poderá notar um acúmulo de depósitos brancos na superfície do cabeçote da Cafeteira. A frequência com a qual se deve remover o cálcio vai depender da dureza da água utilizada. O quadro a seguir mostra os intervalos sugeridos para a limpeza.

### INTERVALOS SUGERIDOS PARA A LIMPEZA DO CÁLCIO

#### Tipo De Água

Água Mole (Filtrada)

Água Dura (da Torneira)

#### Frequência De Limpeza

Cada 80 Ciclos de Preparo

Cada 40 Ciclos de Preparo

## PARA LIMPAR O CÁLCIO DO TANQUE DE ÁGUA:

1. Certifique-se que o botão de controle se encontra na posição de desligado “○” e que o fio elétrico esteja desconectado da tomada.
2. Quando o aparelho estiver frio e a pressão tenha sido liberada, (Consulte a seção “CUIDADO: PRESSÃO” na página 4) retire a tampa do tanque e encha o tanque com vinagre caseiro branco sem diluir.
3. Deixe que a solução de vinagre fique no tanque de água do aparelho durante toda a noite.
4. Despeje o vinagre através da abertura superior da Cafeteira para Café Expresso e Cappuccino, virando o aparelho de cabeça para baixo na pia.
5. Enxágue o tanque de água completamente usando água da torneira e enchendo o tanque até a metade. Em seguida despeje a água sobre a pia e repita este passo duas vezes.

## PARA REMOVER O CÁLCIO DAS PEÇAS INTERNAS

1. Antes de qualquer coisa, certifique-se que o tanque de água esteja sem cálcio, seguindo os passos da seção anterior.
2. Certifique-se de que o botão de controle esteja na posição de desligado “ICON”, que o fio elétrico está desconectado da tomada, que o aparelho tenha esfriado e que a pressão já tenha sido liberada. (Consulte a seção “CUIDADO: PRESSÃO” na página 4). Encha a jarra com vinagre até a parte superior da faixa metálica e despeje dentro do tanque.
3. Coloque e feche a tampa do tanque de água e certifique-se que esteja bem colocada.
4. Coloque o compartimento do filtro com o filtro na cafeteira e a jarra de vidro com sua tampa sobre a bandeja.
5. Ligue o fio elétrico na tomada.
6. Gire o botão de controle até a posição “☺”. Quando o vinagre começar a fluir dentro da jarra, coloque uma xícara de água fria embaixo do tubo para espumar. Deve-se submergir o tubo para espumar dentro da água e lentamente girar o botão de controle até a posição de vapor “☺”. Após 10 segundos, gire o botão de controle colocando-o na posição de desligado “☺”. Isto limpará qualquer resíduo que tenha ficado no tubo para espumar leite.
7. Gire o botão de controle até a posição “☺”. Quando todo o vinagre tiver sido liberado dentro da jarra e o fluxo tenha terminado, gire o botão de controle até a posição de desligado “○” e deixe que o aparelho se esfrie.
8. Repita os passos 1 a 7 usando somente água da torneira para enxaguar o vinagre que tenha ficado na cafeteira. Repita este processo deixando que a cafeteira se esfrie e que a pressão saia antes de enxaguar.

## LIMPEZA DA JARRA

A água dura pode deixar depósitos de minerais brancos dentro da jarra. O café descolora esses depósitos, deixando muitas vezes manchas da cor do café no interior da jarra. Para remover essas manchas, siga os seguintes passos:

1. Use uma solução com partes iguais de água quente e vinagre branco.
2. Deixe que a solução descanse na jarra durante aproximadamente 20 minutos e depois a despeje na pia.
3. Lave e enxágue a jarra completamente usando um pano suave. Não use produtos abrasivos para limpar, pois isso poderá danificar a jarra, riscá-la e fazer com que ela quebre.

# PROBLEMAS, CAUSAS E SOLUÇÕES

PROBLEMA	CAUSAS	SOLUÇÕES
O café não sai	<ul style="list-style-type: none"> <li>• Não tem água no depósito.</li> <li>• O café foi moído muito fino.</li> <li>• Tem muito café no filtro.</li> <li>• A tampa não está bem fechada, o vapor e o vapor está vazando.</li> <li>• O aparelho não foi ligado ou conectado na tomada.</li> <li>• O café está compactado demais.</li> </ul>	<ul style="list-style-type: none"> <li>• Adicione água.</li> <li>• Moer os grãos de café um pouco mais grosso.</li> <li>• Encher o filtro somente até a marca de 4 xícaras.</li> <li>• Fechar bem a tampa.</li> <li>• Conecte o aparelho na tomada. Ligue-o.</li> <li>• Encha o filtro com café. <b>NÃO COMPRIMIR.</b></li> </ul>
O café sai pela borda do compartimento do filtro	<ul style="list-style-type: none"> <li>• O compartimento do filtro não foi colocado corretamente ou travado completamente.</li> <li>• Ficaram grãos de café ao redor da borda do compartimento do filtro.</li> <li>• Tem café demais no filtro.</li> </ul>	<ul style="list-style-type: none"> <li>• Gire o cabo do suporte do compartimento do filtro completamente até a posição adequada.</li> <li>• Limpe a borda do filtro.</li> <li>• Encha somente até a marca de 4 xícaras na jarra.</li> </ul>
Não produz vapor	<ul style="list-style-type: none"> <li>• O tanque de água está vazio.</li> <li>• Tem água demais no tanque – não há espaço para produzir o vapor.</li> <li>• O aparelho não está ligado.</li> <li>• O tubo para espumar está bloqueado ou entupido.</li> </ul>	<ul style="list-style-type: none"> <li>• Encha o tanque de água com a quantidade correta de água. Consulte as Páginas 5 e 6.</li> <li>• Esvazie um pouco da água do tanque. Consulte a Página 8.</li> <li>• Use o botão de controle para ligar o aparelho.</li> <li>• Depois de usar o tubo para espumar, opera a função para espumar durante 1 ou 2 segundos para expelir o excesso de leite. Ou então, desligue o aparelho, deixe esfriar, desconecte da tomada e limpe o tubo para espumar com uma agulha ou palito de dente.</li> </ul>
O leite não ficou espumado ou espumoso	<ul style="list-style-type: none"> <li>• O vapor acabou.</li> <li>• O leite não está suficientemente frio.</li> </ul>	<ul style="list-style-type: none"> <li>• Despeje a quantidade requerida de água para preparar o cappuccino. Consulte na Página 7.</li> <li>• Deixe o leite e a jarra para espumar esfriarem antes de preparar o cappuccino.</li> </ul>
O café sai rápido demais	<ul style="list-style-type: none"> <li>• O café foi moído muito mal ou grosso.</li> <li>• Não tem café suficiente no filtro.</li> </ul>	<ul style="list-style-type: none"> <li>• Use café moído mais fino.</li> <li>• Use mais café.</li> </ul>
O café espirra fora do tubo	<ul style="list-style-type: none"> <li>• O tanque de água está vazio ou baixo, não tem pressão suficiente.</li> </ul>	<ul style="list-style-type: none"> <li>• Uma vez que o aparelho tenha esfriado, use mais água para preparar o café expresso.</li> </ul>

# IDÉIAS DE RECEITAS PARA VOCÊ PROVAR!

## **CAFÉ COM CHOCOLATE**

30 ml (1 onça) de chocolate líquido, uma parte de café expresso, 1 xícara de espuma de leite

## **CAFÉ AMERICANO**

1/2 expresso e 1/2 água quente

## **CAFÉ MACCHIATO**

1/3 expresso e 2/3 de leite espumado

## **CAFÉ LATTE**

1/4 expresso e 3/4 leite espumado, despeje ambos em uma mesma xícara simultaneamente

## **CAFÉ COM LEITE**

1/2 expresso e 1/2 leite espumado

## **CHOCOLATE QUENTE**

Adicionar 60 ml (2 onças) de expresso a uma xícara de chocolate quente

## **(PARA ADULTOS MAIORES COM MAIS QUE 21 ANOS DE IDADE)**

## **CAPPUCCINO SÃO FRANCISCO**

Expresso, chocolate quente espumado, Brandy, creme e canela na parte superior

## **CAFÉ IRLANDÊS**

Expresso, uísque irlandês, creme batido na parte superior

## **CAFÉ TUACA**

Expresso, licor de Tuaca, creme batido na parte superior

## **CAFÉ VIENA**

Expresso, Brandy, creme batido na parte superior

## **CAFÉ TIA MARIA**

Expresso, licor Tia Maria, espuma de leite na parte superior

## **CAFÉ GRAND MARNIER**

Expresso, licor Grand Manier, creme batido e casca de laranja ralada na parte superior

## **CAFÉ MEXICANO**

Expresso, Kahlua, Tequila, creme batido na parte superior

## **CAFÉ ROMANO**

Expresso, Brandy e umas gotas de limão



**Electric Characteristics Series Models:/ Características Electricas Modelos de la Serie:  
BVSTEM4188-XXX**

Voltage/Voltaje	Frequency/Frecuencia	Power/Potencia
120 V	60 Hz	850 W
127 V	60 Hz	850 W
220 V	50/60 Hz	900 W
220 V	50 Hz	900 W
220 V	60 Hz	900 W

XXX where X is any number between 0 and 9 or any letter between A and Z.  
XXX en donde X es cualquier numero entre 0 y 9 o cualquier letra entre A y Z.

The following information is intended for Mexico only

CAFETERA ESPRESSO OSTER®  
MODELOS: BVSTEM4188, BVSTEM4188-013  
LEA EL INSTRUCTIVO ANTES DE USAR EL APARATO  
LA SIGUIENTE INFORMACION ES PARA MEXICO  
**IMPORTADOR: SUNBEAM MEXICANA, S.A. DE C.V.**  
AV. JUÁREZ No. 40-201,  
EX-HACIENDA DE SANTA MÓNICA,  
TLALNEPANTLA, ESTADO DE MÉXICO,  
C.P. 54050, R.F.C. SME570928G90, TEL. 53660800  
PAIS DE ORIGEN: CHINA  
PAIS DE PROCEDENCIA: E.U.A., CHINA  
CONTENIDO: 1 PIEZA  
CARACTERISTICAS ELECTRICAS

60 Hz 120 V ~ 850 W



© 2011 Sunbeam Products, Inc. All rights reserved. Distributed by Sunbeam Latin America, LLC,  
5200 Blue Lagoon Drive, Suite 470, Miami, FL 33126.  
One year limited warranty – please see insert for details.

© 2011 Sunbeam Products, Inc. Tout droit réservé. Distribué par by Sunbeam Latin America, LLC,  
5200 Blue Lagoon Drive, Suite 470, Miami, FL 33126.  
Une année de garantie limitée – veuillez lire le feuillet sur la garantie pour plus de détails.

© 2011 Sunbeam Products, Inc. Todos los derechos reservados. Distribuido por Sunbeam Latin  
America, LLC, 5200 Blue Lagoon Drive, Suite 470, Miami, FL 33126.  
Garantía limitada de un año – por favor consulte los detalles en el inserto.

© 2011 Sunbeam Products, Inc. Todos os direitos reservados. Distribuído pela Sunbeam Latin  
America, LLC, 5200 Blue Lagoon Drive, Suite 470, Miami, FL 33126.  
Garantia limitada de um ano – para maiores detalhes, consulte o certificado.

[www.oster.com](http://www.oster.com)

Printed in China

Imprimé en République de Chine

Impreso en China

Impresso na China

P.N. 150472  
CBA -062611