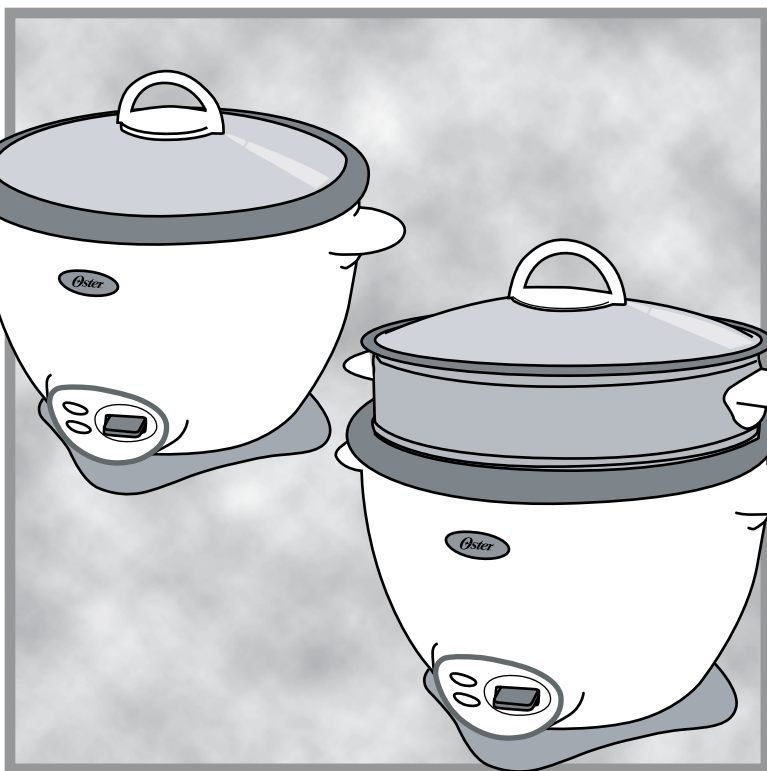


Oster®



MODELS/ MODÈLES 4728, 4728R, 4729, 4730,
MODELOS 4731, 4731R, 4732
& CKSTRC4733

INSTRUCTION MANUAL
MULTI-USE RICE COOKER WITH UNIFORM COOKING TECHNOLOGY
PLEASE READ ALL INSTRUCTIONS BEFORE USING THIS APPLIANCE

MANUEL D'INSTRUCTIONS
CUISEUR À RIZ À MULTI-USAGE À CUISSON UNIFORME
LIRE TOUTES LES INSTRUCTIONS AVANT D'UTILISER CET APPAREIL

MANUAL DE INSTRUCCIONES
ARROCERA MULTI-USOS CON COCCIÓN UNIFORME
LEA TODAS LAS INSTRUCCIONES ANTES DE USAR ESTE APARATO

MANUAL DE INSTRUÇÕES
PANELA ELÉTRICA DE ARROZ MULTI-USO COM COZIMENTO UNIFORME
LEIA TODAS AS INSTRUÇÕES ANTES DE USAR ESTE APARELHO

IMPORTANT SAFEGUARDS

When using electrical appliances, basic safety instructions should always be followed, including the following:

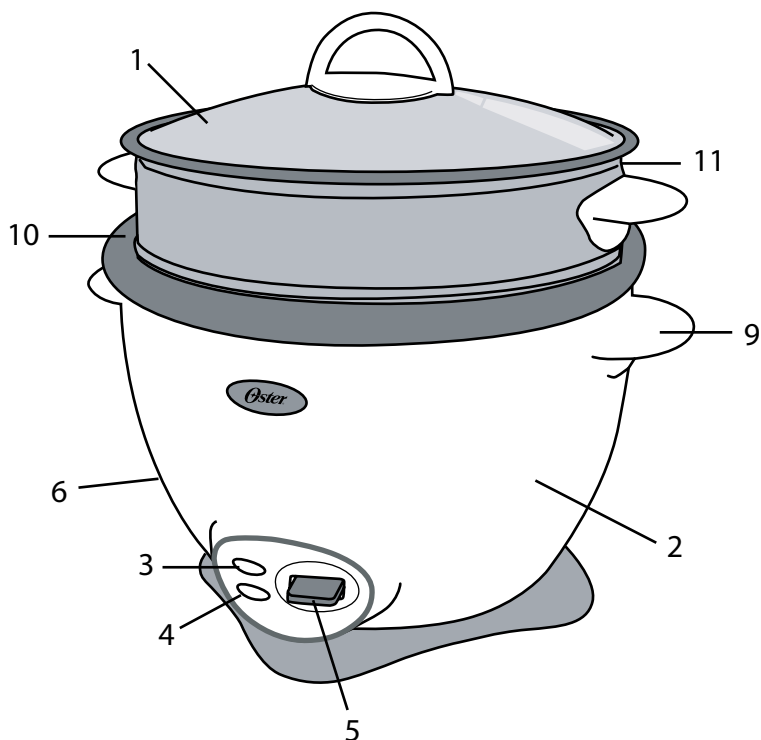
- **READ ALL INSTRUCTIONS BEFORE USING YOUR RICE COOKER.**
- Do not touch hot surfaces. Use pot holders when removing Lid or handling hot containers to avoid steam burns.
- To protect against risk of electric shock, do not immerse the Heating Body in water or other liquids.
- Close supervision is necessary when any appliance is used near children.
- Unplug from outlet when not in use. Unplug before putting on or taking off parts, and allow to cool before cleaning.
- Do not operate any appliance with a damaged cord or plug, or after the appliance malfunctions or has been damaged in any manner. Return appliance to an Authorized Oster® Service Center for examination, repair or adjustment.
- Do not use outdoors.
- Do not let Cord hang over edge of table or counter, or touch hot surfaces.
- Do not place on or near a hot gas or electric burner, or in a heated oven.
- Extreme caution must be used when moving an appliance containing hot food or water or other hot liquids.
- Do not use appliance for other than its intended use.
- Lift and open Lid carefully to avoid scalding and allow water to drip into the Inner Pot.
- Do not operate this appliance without the Lid in place on the unit. Steam is generated during use.
- The use of accessory attachments not recommended by this appliance manufacturer may cause hazards.
- If a longer detachable power-supply cord or extension cord is used, (1) the marked electrical rating of the extension cord should be arranged so that it will not drape over the countertop or tabletop where it can be pulled on by children or tripped over unintentionally.

- This appliance is not intended for use by persons (including children) with reduced physical, sensory or mental capabilities, or lack of experience and knowledge, unless they have been given supervision or instruction concerning use of the appliance by a person responsible for their safety. Children should be supervised to ensure that they do not play with the appliance.
- Close supervision is necessary when any appliance is used by or near children, or incapacitated individuals.
- This appliance is not intended to be operated by means of an external timer or separate remote-control system.
- This appliance is intended to be used in household and similar applications such as: staff kitchen areas in shops, offices and other working environments farm houses by clients in hotels, motels and other residential type environments bed and breakfast type environments.

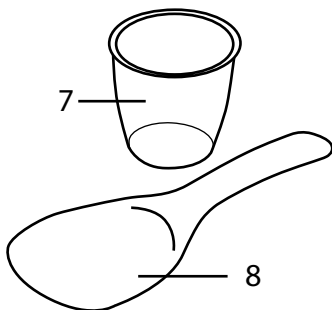
THIS UNIT IS FOR HOUSEHOLD USE ONLY.

SAVE THESE INSTRUCTIONS

DESCRIPTION OF THE APPLIANCE



1. Glass Lid
2. Heating Body
3. Keep Warm Light (yellow)
4. Cook Light (red)
5. On-Switch Button
6. Power Cord
7. Measuring Cup
8. Paddle
9. Handle
10. Inner Pot
11. Steaming Tray (models 4731, 4731R and CKSTRC4733 only)



INSTRUCTIONS FOR USE

BEFORE USING FOR THE FIRST TIME

Clean the Glass Lid, Inner Pot, Paddle, Steaming Tray (models 4731, 4731R and CKSTRC4733 only) and Measuring Cup according to the user maintenance instructions.

USING YOUR MULTI-USE RICE COOKER

1. Make sure appliance is unplugged.
2. Measure raw rice for desired amount with the Measuring Cup (180 ml) provided. (One cup of the uncooked rice will make about two cups of cooked rice.) Maximum of 7 cups (1.2 L) uncooked rice for models 4728 and 4728R. Maximum of 10 cups (1.8 L) uncooked rice for models 4729, 4731/4731R and 4732. Maximum of 12 cups (2.2 L) uncooked rice for model 4730. Maximum of 15 cups (2.6 L) uncooked rice for model CKSTRC4733.
3. By using the Measuring Cup, add proper amount of water to the rice inside the Inner Pot. For stickier rice, add slightly more water. For fluffier rice, use slightly less water. The cup provided is not equivalent to 1 cup:
The weight of 1 cup of rice is 160g; the weight of 1 cup of water is 175g.
2 cups of rice need 788g (4-1/2 cups) of water;
4 cups of rice need 1,200g (7 cups) of water;
6 cups of rice need 1,500g (8-1/2 cups) of water;
8 cups of rice need 1,720g (9-3/4 cups) of water;
10 cups of rice need 1,860g (10-2/3 cups) of water;
12 cups of rice need 2,232g (12-3/4 cups) of water;
15 cups of rice need 2,790g (16 cups) of water.
4. Set the Inner Pot into the Rice Cooker. Make sure that the Inner Pot sits directly in contact with the heating plate by turning it slightly from right to left until it is seated properly.
5. Cover with Lid. **DO NOT OPERATE THIS APPLIANCE UNCOVERED. STEAM IS GENERATED DURING USE.**
6. Plug the Power Cord into an electrical outlet. Activate the Rice Cooker by pushing down the On-Switch Button down. Make sure the Cook Light (red) is on.
7. After 15 minutes mix the rice. Lift and remove the Lid carefully to avoid scalding and allow water to drip into the Inner Pot. Use the Paddle or another long handheld utensil to scoop and mix the rice. After mixing, cover the Inner Pot with the Lid.
8. When your rice is cooked, the Rice Cooker will automatically switch to the warm function and the Keep Warm Light (yellow) will turn on. The Rice Cooker will keep the rice warm until the unit is disconnected from the wall outlet.

- The Rice Cooker will automatically keep rice warm at 140°F – 175°F (60°C – 80°C).
- When the rice temperature dips below this range, the yellow Keep Warm Light will turn off and the red Cook Light will turn on indicating that the heat preservation process has begun. When the rice temperature reaches 140°F, the Keep Warm Light (yellow) will once again turn on and the Cook Light (red) will turn off.
- Allow the appliance to cool completely before cleaning.

Disconnect the plug from the wall outlet when not in use.

NOTES:

Wash the rice in a separate bowl, prior to cooking, if desired.

For softer rice, we suggest preparing rice and water in the Inner Pot and letting soak for 10 – 20 minutes before cooking.

INSTRUCTIONS TO REHEAT RICE

To reheat cold rice, add 1/4 cup (4 Tbsp.) of cold water per cup of cooked rice, stir to mix, then press On-Switch Button to start cooking.

When rice is warm, the Rice Cooker will automatically switch to the keep warm function.

USING THE STEAMING TRAY (MODELS 473I, 473IR AND CKSTRC4733 ONLY)

Steam cooking vegetables retains more nutrients than boiling or baking, while preserving the bright, natural color.

- Prepare vegetables by washing, peeling and then cutting into smaller sized pieces.
- Make sure the unit is unplugged.
- Fill the Inner Pot with the appropriate amount of water. (See Chart)
- Set the Inner Pot into the heating body. Make sure that the Inner Pot sits directly in contact with the heating plate.
- Place vegetables in the Steaming Tray and position the Tray on top of the Inner Pot. Cover with Lid. **DO NOT OPERATE THIS UNIT UNCOVERED. STEAM IS GENERATED DURING USE.**
- Plug the Power Cord into a wall outlet. Activate the Rice Cooker by pushing down the On-Switch Button. Make sure the red Cook Light is on.
- Time the cooking manually according to the chart on next page. The unit will automatically switch to the keep warm cycle once all the water evaporates. If all the water evaporates and you wish to extend the cooking cycle, add more water.
- Once the vegetables have been steamed according to your personal preference, remove the Steamer Tray from the Rice Cooker.
- Disconnect from the wall outlet and allow the unit to cool completely before cleaning.

VEGETABLE	QUANTITY	WATER	TIME
Green Beans	10 ounces / 300 g	1/3 Cup / 50 ml	30-35 minutes
Broccoli	10 ounces / 300 g	1/3 Cup / 50 ml	30-35 minutes
Carrots (Sliced)	8 ounces / 200 g	1/3 Cup / 50 ml	30-35 minutes
Cauliflower	8 ounces / 200 g	1/3 Cup / 50 ml	30-35 minutes
Corn (Kernel)	10 ounces / 300 g	1/3 Cup / 50 ml	40-45 minutes
Peas	10 ounces / 300 g	1/3 Cup / 50 ml	30-35 minutes
Spinach	5 ounces / 150 g	1/3 Cup / 50 ml	20-30 minutes
Mixed Vegetables	10 ounces / 300 g	1/3 Cup / 50 ml	30-35 minutes

NOTE: These times are approximate. It is recommended that you monitor the steaming process and adjust the cooking time according to your preference. Stir vegetables occasionally during the cooking process. When cooking rice, steaming times may vary.

USER MAINTENANCE INSTRUCTIONS

This appliance should be cleaned after every use.

1. Unplug the Rice Cooker from the wall outlet when not in use or before cleaning. Never immerse the Heating Body in water or any other liquid! Allow the Rice Cooker to cool completely before cleaning.
2. Do not use abrasive cleaners or scouring pads or steel wool to clean the Rice Cooker.
3. Heating Body: lightly wipe the exterior with a damp cloth or sponge.
DO NOT IMMERSE HEATING BODY INTO WATER OR ANY OTHER LIQUID.
Dry thoroughly with a soft cloth.
4. Inner Pot: fill with hot water and let sit for a while and then wash with hot, soapy water using a sponge and dry thoroughly with a cloth or use dishwasher.
5. Lid, Measuring Cup, Paddle and Steaming Tray: wash in warm, soapy water. Rinse thoroughly and dry. **CAUTION:** handle the Lid with extreme care, as it may become slippery when wet or use dishwasher.
6. Heating plate: grains of rice or other foreign matter may stick to the heating plate. These must be removed to prevent inadequate cooking. To remove cooked rice, smooth sandpaper can be used. Smooth out and polish the spot for good contact between the heating plate and the bottom of the Inner Pot.
7. There are no user serviceable parts inside this appliance. Do not attempt to repair this appliance yourself as you could render it dangerous to use.

RECIPES

SPANISH RICE

250 grams of sausage (chorizo)	1 medium onion
1 tablespoon yellow pepper, ground	1 teaspoon paprika
2 cups tomatoes, diced, without skin or seeds	1 cup green peas
1 red pepper, diced	2 celery stalks, sliced
1 green pepper, diced	2 cups long-grain rice
3 cups chicken broth	Salt and pepper

Preparation

Chop the onion. In the Oster® Multi-Use Rice Cooker, sauté the sausage cut in slices, add onion, yellow pepper, paprika and tomatoes. Mix together. Add the remaining vegetables, the rice and the broth. Check seasoning, cover and cook until done. Garnish with curly parsley. Serve hot.

FETTUCCINI WITH APPLE, SHRIMP AND CURRY SAUCE

½ kg fettuccini	4 tablespoons butter
3 tablespoons flour	1 teaspoon curry
½ cup cream	1 cup chicken broth
2 cups apples, peeled and diced	½ kg shrimp
Parmesan cheese to taste	Juice of one lemon (for the apples)

Preparation

In the Oster® Multi-Use Rice Cooker, melt butter, add flour and curry. Cook for 2 minutes. Add cream, chicken broth, apples and shrimp. Stir until thickened. Remove from heat and keep hot. In the Oster® Multi-Use Rice Cooker, pour sufficient water and salt to cook fettuccini al dente. Serve the fettuccini with the sauce and sprinkle with Parmesan cheese.

RICE WITH SHELLFISH

453.6 grams (1 lb) saffron rice

113.4 grams (¼ lb) shrimp, shelled and deveined,
with or without tails

¼ red pepper, diced

12 small clams

113.4 grams (¼ lb) oysters

1 cup sweet peas

Preparation

Wash clams, shucking thoroughly, and rinse well. Cook rice in the Oster® Multi-Use Rice Cooker, following the instructions on the package. Add clams, shrimp, oysters, sweet peas and red pepper five minutes before the rice is fully cooked. Mix well, without stirring. Serve with French bread croutons and a fresh salad. Option: The saffron rice may be substituted with brown rice.

MILANESE MINISTRONE

½ kg chicken breast

1 tablespoon basil

½ cup fresh beans

½ teaspoon oregano

½ cup green pepper, chopped

½ cup squash, diced

3 medium potatoes, peeled and diced

2 teaspoons of Worcestershire sauce

1 cup Parmesan cheese

2 quarts water

2 cloves garlic, chopped

½ cup celery

½ teaspoon thyme

½ cup onions, sliced

½ cup mushrooms, sliced

2 cups tomatoes, diced,
without skin or seeds

½ kg fine noodles

3 tablespoons margarine

Salt

Preparation

In the Oster® Multi-Use Rice Cooker, pour water and boil chicken with the salt. When chicken is cooked, remove and dice. Reserve the broth. In the Oster® Multi-Use Rice Cooker, melt butter, add garlic, onion, celery, green pepper, mushrooms, beans and squash. Sauté until soft. Add the tomatoes, then the potatoes and sauté for 5 more minutes. Add this mixture to the chicken broth, add Worcestershire sauce, the herbs bouquet (basil, thyme, oregano), salt, chicken and noodles. Cook 10 minutes until the potatoes are cooked, but firm. Add Parmesan cheese while stirring. Cook 2 minutes longer. Serve and sprinkle with more cheese.

RICE WITH CHICKEN

2 lb rice
3 green peppers
4 cloves garlic
4 chicken breasts
black pepper to taste
chicken broth, 1 envelope

1 onion
2 carrots
celery to taste
3 tablespoons salt
oregano to taste
tomato paste

Preparation

Cook the chicken in water, salt, black pepper, oregano, chicken broth in the Oster® Multi-Use Rice Cooker. When done, shred the chicken in the water in which it was cooked and add green peppers, onion, garlic, celery and carrots, everything well chopped. Cook 10 minutes, and add tomato paste and shredded chicken. After the sauce is cooked, add the uncooked, washed rice and cover the rice somewhat more than normal.

RICE AND TUNA SALAD

2 cups cooked rice
1 can tuna
3 hard-boiled eggs
Salt and pepper
Olive oil

2 peppers in vinegar*
100 gr green olives
Mayonnaise
Lettuce leaves
Vinegar

Preparation

Cook the rice in the Oster® Multi-Use Rice Cooker in the traditional manner, remove and place on a platter until it is completely cool. Dice the cooked peppers and slice the eggs. Shred the tuna and add along with the remaining ingredients to the rice, reserving some of the egg slices and olives to garnish the salad. Season with olive oil, salt, pepper and vinegar. Serve the salad on a platter with lettuce leaves and garnish with hard-boiled egg and olives.

* **Peppers in vinegar:** wash and cut the peppers in two lengthwise. Remove the seeds and cook the peppers in a saucepan with two cups water and one-half cup vinegar with a pinch of salt. After 15 minutes, remove from heat.

RICE PUDDING

1 cup rice
1 cinnamon stick
1³/₄ cup evaporated milk
1 teaspoon grated lemon and orange peel
1 teaspoon vanilla
1 egg yolk

3 cups water
2 whole cloves
1¹/₄ cup condensed milk
½ cup dark raisins
¼ cup grape brandy
Powdered cinnamon

Preparation

In the Oster® Multi-Use Rice Cooker, cook the pre-washed rice with 3 cups of water, cinnamon stick and cloves. Once the rice is cooked, add evaporated and condensed milk, grated lemon and orange peel, and raisins. Continue stirring until set. Add vanilla, grape brandy and the egg yolk well beaten. Sprinkle with cinnamon and serve.

PRÉCAUTIONS IMPORTANTES

Il est important d'observer un certain nombre de règles de sécurité élémentaires pendant l'utilisation du cuiseur à riz automatique ou de tout appareil électrique:

• **LISEZ TOUTES LES DIRECTIVES.**

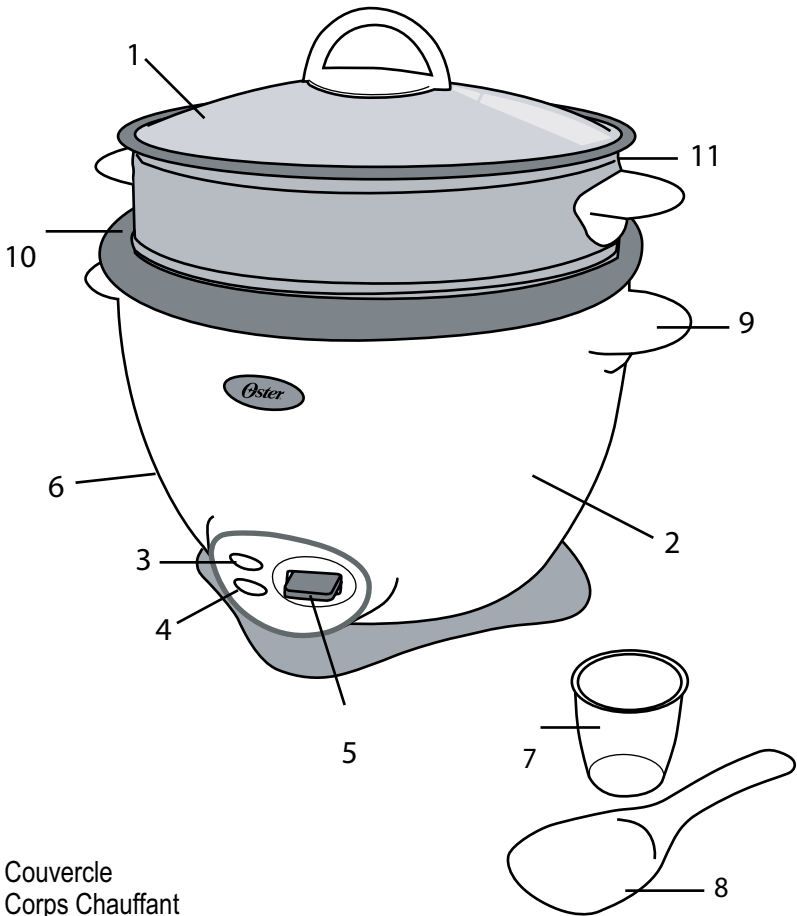
- Eviter de toucher les surfaces chaudes. Utiliser les manivelles ou les interrupteurs. Utiliser des poignées pour saisir le couvercle ou manipuler le récipient lorsqu'il est chaud.
- Pour vous protéger des risques d'électrocution, ne plongez jamais le cordon ou la cafetière dans l'eau ou tout autre liquide.
- Faites particulièrement attention lorsque l'appareil est utilisé par ou en présence d'enfants.
- Débrancher l'appareil lorsqu'il n'est pas utilisé, laissez refroidir avant d'y placer ou y retirer des pièces et avant de le nettoyer.
- Ne pas faire fonctionner un appareil dont le fil ou la fiche est endommagé ou après que l'appareil ait mal fonctionné, qu'il ait été échappé ou endommagé d'une façon quelconque. Retourner l'appareil au Centre de Service Autorisé Sunbeam le plus près aux fins d'inspection, de réparation, de réglage électrique ou mécanique.
- Ne pas l'utiliser à l'extérieur. Cet appareil est conçu pour usage domestique seulement.
- Ne pas laisser le fil pendre de la table ou d'un comptoir et éviter qu'il touche à une surface chaude.
- Ne pas placer sur ou près d'un poêle chaud ou dans un four chaud.
- Déplacer un appareil électroménager contenant de l'huile bouillante ou tout autre liquide chaud en faisant preuve de la plus grande prudence.
- Ne pas utiliser cet appareil à des fins autres que celles pour lesquelles il est conçu.
- Soulever et ouvrir le couvercle avec précaution pour éviter tout risque de brûlure et permettre à l'eau de couler dans l'appareil.
- Ne faites pas fonctionner cet appareil sans que le couvercle ne soit en place sur l'unité. De la vapeur est produite durant son utilisation.
- L'utilisation d'accessoires non conseillés ou vendus par le fabricant présente des risques d'incendie, d'électrocution ou de blessure.
- Un cordon de 15 ampères doit être utilisé si une rallonge est absolument nécessaire. Un cordon possédant une classe d'ampérage inférieure peut surchauffer. Vous devez prendre soin de disposer la rallonge de façon à ne pas l'accrocher ou trébucher sur elle.

- Cet appareil n'est pas destiné à être utilisé par des personnes (enfants y compris) dont les capacités physiques, sensorielles ou mentales sont diminuées, ou qui ne disposent pas des connaissances ou de l'expérience nécessaire, à moins qu'elles n'aient été formées et encadrées pour l'utilisation de cet appareil par une personne responsable de leur sécurité. Les enfants doivent être surveillés pour s'assurer qu'ils NE jouent PAS avec l'appareil.
- Les enfants et personnes handicapées doivent être surveillés lorsqu'ils utilisent l'appareil ou que l'appareil est utilisé à côté d'eux.
- Cet appareil n'a pas été conçu pour être utilisé avec une minuterie externe ou un système de télécommande séparé.
- Cet appareil a été conçu pour être utilisé à la maison et pour d'autres usages similaires tels que : espaces cuisine pour employés de boutiques, bureaux ou tout autre lieu de travail ; Dans des maisons de ferme ; Par des clients d'hôtels, motels ou toute autre type de résidence ; ou dans des maisons d'hôtes.

CET APPAREIL EST POUR USAGE DOMESTIQUE SEULEMENT.

CONSERVER CES INSTRUCTIONS

PIECES



1. Couvercle
2. Corps Chauffant
3. Voyant Lumineux CUISSON GARDER A CHAUD
4. Voyant Lumineux CUISSON
5. Interrupteur
6. Cordon d'Alimentation Électrique
7. Verre Gradué (180ml)
8. Louche
9. Poignée
10. Récipient Intérieur
11. Plateau de cuisson à la vapeur (Modèles 4731, 4731R, et CKSTRC4733 seulement)

MODE D'EMPLOI

AVANT LA PREMIERE UTILISATION

Nettoyez le couvercle en verre, le récipient intérieur, le verre gradué et le Plateau de cuisson à la vapeur (Modèles 4731, 4731R, et CKSTRC4733 seulement) selon les Instructions Données au Chapitre Entretien.

MODE D'EMPLOI DU CUISEUR DE RIZ

1. Assurez-vous que l'Auto Cuiseur de Riz est bien débranché.
2. Mesurez la quantité désirée de riz cru avec la tasse graduée de 180 ml qui est incluse (une tasse de riz cru donne environ deux tasses de riz cuit). Un maximum de 7 tasses (1,2 L) de riz cru pour le Modèle Nr. 4728 et 4728R. Un maximum de 10 tasses (1,8 L) de riz cru pour les Modèles 4729, 4731/4731R et 4732. Un maximum de 12 tasses (2,2 L) de riz cru pour le Modèle Nr. 4730. Un maximum de 15 tasses (2,6 L) de riz cru pour le Modèle CKSTRC4733.
3. En vous servant de la tasse graduée, ajoutez au riz la quantité exacte d'eau dans le bol intérieur. Pour un riz plus moelleux, ajoutez un peu plus d'eau. Pour un riz plus ferme, ajoutez moins d'eau.
La tasse graduée n'a pas la contenance d'une tasse complète :
Une tasse mesure 160g de riz, le poids d'une tasse d'eau est de 175g.
Pour 2 tasses de riz, couvrez avec 788g d'eau (4 tasses et demie)
Pour 4 tasses de riz, couvrez avec 1200g d'eau (7 tasses)
Pour 6 tasses de riz, couvrez avec 1500g d'eau (8 tasses et demie)
Pour 8 tasses de riz, couvrez avec 1720g d'eau (9 tasses plus $\frac{3}{4}$)
Pour 10 tasses de riz, couvrez avec 1860g d'eau (10 tasses plus $\frac{2}{3}$)
Pour 12 tasses de riz, couvrez avec 2232g d'eau (12 tasses plus $\frac{3}{4}$)
Pour 15 tasses de riz, couvrez avec 2790g d'eau (16 tasses plus $\frac{3}{4}$)
4. Mettez le bol en place dans l'Auto Cuiseur. Assurez-vous qu'il est en contact avec le plateau chauffant. Bougez-le de droite à gauche jusqu'à ce qu'il soit bien en place.
5. Mettez le couvercle. L'APPAREIL GÉNÉRANT DE LA VAPEUR, NE L'UTILISEZ PAS SANS COUVERCLE.
6. Brancher le cordon dans une prise électrique. Appuyer sur le bouton de commutation pour mettre l'appareil à cuire le riz en marche. S'assurer que le voyant de «< Marche,, rouge est allumé.
7. Mélanger le riz. Après 15 minutes de cuisson, enlevez le couvercle en faisant attention à la vapeur qui s'échappe. Mélangez avec une louche ou une cuiller à long manche. Remettez le couvercle sur le récipient intérieur.
8. Une fois le riz cuit, l'appareil se mettra automatiquement en fonctionnement au chaud et le témoin indiquant cette fonction de (chaud,) jaune s'allumera. L'unité demeurera en fonctionnement au chaud jusqu'à ce qu'elle soit débranchée de la prise murale.

9. La cocotte conservera automatiquement le riz au chaud à 140°F- 175°F (60°C- 80°C).
10. Lorsque la température du riz descend en-dessous de ce niveau, la lampe rouge s'allumera à nouveau, indiquant que la procédure de conservation de la chaleur a commencé.
11. Laissez refroidir l'appareil avant de le nettoyer.
Débranchez l'appareil après usage.

REMARQUES:

Le riz peut être lavé dans un récipient différent.

Pour obtenir un riz plus tendre, mettez le riz et l'eau dans le récipient intérieur et laissez tremper pendant 10 à 20 minutes avant de le faire cuire.

POUR RÉCHAUFFER LE RIZ

Pour réchauffer le riz, mettez 1/4 de tasse (4 cuillers à soupe) d'eau froide par tasse de riz cuit, mélangez et mettez l'appareil en marche.

Lorsque le riz est chaud, l'appareil se mettra automatiquement sur la position Keep Warm/Garder au Chaud.

UTILISATION DU PLATEAU DE CUISSON À LA VAPEUR (MODÈLES 473I, 473IR ET CKSTRC4733 SEULEMENT)

La cuisson des légumes à la vapeur conserve plus d'éléments nutritifs que de faire bouillir ou de faire cuire au four, tout en préservant la couleur éclatante et naturelle.

1. Préparez les légumes en les lavant, en les pelant et en les coupant en plus petits morceaux.
2. Assurez-vous que l'unité n'est pas branchée.
3. Remplissez la marmite intérieure avec la quantité d'eau appropriée (Voir le tableau).
4. Insérez la marmite intérieure dans la partie chauffante. Assurez-vous que la marmite entre directement en contact avec la plaque chauffante.
5. Déposez les légumes dans le plateau de cuisson à la vapeur et placez celui-ci par-dessus la marmite intérieure. Couvrez à l'aide du couvercle. **NE FAITES PAS FONCTIONNER CETTE UNITÉ SANS COUVERCLE. DE LA VAPEUR EST PRODUITE DURANT SON UTILISATION.**
6. Branchez le cordon électrique dans la prise murale. Démarrez le cuiseur de riz en abaissant le bouton du commutateur. Assurez-vous que le témoin rouge de cuisson est allumé.
7. Réglez manuellement la durée de cuisson selon le tableau suivant. L'unité va automatiquement passer au cycle garde-au-chaud lorsque toute l'eau s'est évaporée. Ajoutez plus d'eau si toute l'eau s'est évaporée et que vous désirez prolonger le cycle de cuisson.
8. Retirez le plateau de cuisson à la vapeur du cuiseur de riz lorsque les légumes sont cuits à la vapeur selon votre préférence personnelle.
9. Débranchez le cordon de la prise murale et laissez l'unité refroidir parfaitement avant

LÉGUMES	QUANTITÉ	EAU	DURÉE
Fèves vertes	10 onces/ 300 g	1/3 tasse/ 50 ml	30-35 minutes
Brocoli	10 onces/ 300 g	1/3 tasse/ 50 ml	30-35 minutes
Carottes	8 onces/ 200 g	1/3 tasse/ 50 ml	30-35 minutes
Chou-fleur	8 onces/ 200 g	1/3 tasse/ 50 ml	30-35 minutes
Maïs (en grain)	10 onces/ 300 g	1/3 tasse/ 50 ml	40-45 minutes
Pois	10 onces/ 300 g	1/3 tasse/ 50 ml	30-35 minutes
Macédoine	10 onces/ 300 g	1/3 tasse/ 50 ml	30-35 minutes

NOTE: Ces durées sont approximatives. Il est recommandé de surveiller le processus de cuisson à la vapeur et de régler la durée de cuisson selon vos préférences. Remuez les légumes de temps en temps. Les durées de cuisson à la vapeur peuvent varier lorsque vous faites cuire du riz.

ENTRETIEN

Nettoyez l'appareil après chaque utilisation.

- Débranchez l'appareil lorsque vous ne l'utilisez pas ou avant de le nettoyer. N'immergez pas le corps chauffant dans l'eau ou dans tout autre liquide. L'appareil doit être complètement refroidi avant de le nettoyer.
- N'utilisez pas de détergents abrasifs, de tampons de récurage ou de laine d'acier.
- Corps Chauffant: Nettoyez légèrement l'extérieur avec un chiffon ou une éponge humide. N'immergez pas l'appareil dans l'eau ou dans tout autre liquide! Séchez avec un chiffon doux.
- Récipient Intérieur: remplissez le récipient avec de l'eau, laissez tremper puis lavez à l'eau savonneuse chaude à l'aide d'une éponge. Essuyez minutieusement avec un torchon.
- Couvercle, verre gradué et louche: Lavez à l'eau savonneuse chaude. Rincez minutieusement. ATTENTION: Le couvercle doit être manipulé avec précaution car il peut glisser lorsqu'il est humide.
- Plaque chauffante, thermostat: les grains de riz, morceaux de légumes, etc. qui peuvent coller à la plaque chauffante doivent absolument être enlevés pour assurer une bonne cuisson. Il est possible d'enlever le riz cuit avec du papier-émeri très fin. Polissez la tache afin d'assurer un bon contact entre la plaque chauffante et le dessous du récipient intérieur.
- Aucune pièce intérieure ne peut être réparée par l'utilisateur. N'essayez pas de réparer l'appareil sous peine de rendre son utilisation dangereuse. Pour toute réparation, veuillez-vous adresser à un service après-vente agréé.

RECETTES

RIZ ESPAGNOL

250 grammes de saucisse (chorizo)
1 c. à soupe de poivre jaune, moulu
2 tasses de tomates, en dés, sans la peau ni les pépins
2 tiges de céleri, en dés
2 tasses de riz à grain long
Sel et poivre

1 oignon médium
1 c. à thé de paprika
1 tasse de pois verts
1 poivron rouge, en dés
1 poivron vert, en dés
3 tasses de bouillon de poulet

Préparation

Hacher l'oignon. Dans le cuiseur de riz Oster® à usages multiples, faire sauter la saucisse coupée en tranche, ajouter l'oignon, le poivre jaune, le paprika et les tomates. Mélanger le tout. Ajouter le reste des légumes, le riz et le bouillon. Vérifier l'assaisonnement, couvrir et faire cuire jusqu'à la cuisson complète. Garnir de persil frais. Servir chaud.

FETTUCINE AVEC SAUCE AUX POMMES, AUX CREVETTES ET AU CURRY

½ kg fettucine
3 c. à soupe de farine
½ tasse de crème
2 tasses de pommes, pelées et en dés
Fromage parmesan au goût

4 c. à soupe de beurre
1 c. à thé de curry
1 tasse de bouillon de poulet
½ kg de queues de crevettes
Jus d'un citron (pour les pommes)

Préparation

Dans le cuiseur de riz Oster® à usages multiples, faire fondre le beurre, ajouter la farine et le curry. Faire cuire pendant 2 minutes. Ajouter la crème, le bouillon de poulet, les pommes et les queues de crevettes. Remuer jusqu'à l'épaississement. Retirer de la chaleur et garder au chaud. Dans le cuiseur de riz Oster® à usages multiples, verser suffisamment d'eau et de sel pour faire cuire le fettucine al dente. Servir le fettucine avec la sauce et saupoudrer de fromage Parmesan.

RIZ AVEC CRUSTACÉS

453.6 g (1 lb) de riz au safran
113.4 g (¼ lb) de crevettes,
décortiquées et déveinées,
avec ou sans les queues

12 petites palourdes
113.4 g (¼ lb) d'huîtres
1 tasse de pois sucrés
¼ poivron rouge, en dés

Préparation

Laver les palourdes, les écailler parfaitement et bien les rincer. Faire cuire le riz dans le cuiseur de riz Oster® à usages multiples tout en suivant les directives sur l'emballage. Ajouter les palourdes, les crevettes, les huîtres, les pois sucrés et le poivron rouge cinq minutes avant que le riz ne soit parfaitement cuit. Bien mélanger sans agiter. Servir avec des croûtons de pain français et de la salade fraîche. Option: Le riz au safran peut être remplacé par du riz brun.

MINISTRONE MILANAIS

½ kg de poitrine de poulet
1 c. à soupe de basilic
½ tasse de fèves fraîches
½ c. à thé d'origan
½ tasse de poivron vers, haché
½ tasse de courge, en dés
3 patates médiums, pelées et en dés
2 c. à thé de sauce Worcestershire
1 tasse de fromage parmesan
2 litres d'eau

2 gousses d'ail, hachées
½ tasse de céleri
½ c. à thé de thym
½ tasse d'oignons, tranchés
½ tasse de champignons, tranchés
2 tasses de tomates, en dés, sans la
peau ni les pépins
½ kg de nouilles fines
3 c. à soupe de margarine
Sel

Préparation

Dans le cuiseur de riz Oster® à usages multiples, verser l'eau et faire bouillir le poulet avec du sel. Enlever le poulet et le couper en dés lorsqu'il est cuit. Conserver le bouillon. Dans le cuiseur de riz Oster® à usages multiples, faire fondre le beurre, ajouter l'ail, l'oignon, le céleri, le poivron vert, les champignons, les fèves et la courge. Faire sauter pour ramollir. Ajouter les tomates, ensuite les patates et faire sauter pendant encore 5 minutes. Ajouter ce mélange au bouillon de poulet, ajouter la sauce Worcestershire, le bouquet d'herbes (basilic, thym, origan), le sel, le poulet et les nouilles. Faire cuire pendant 10 minutes jusqu'à ce que les patates soient cuites mais fermes. Ajouter le fromage parmesan tout en remuant. Cuire pendant 2 autres minutes de plus. Servir tout en saupoudrant plus de fromage.

RIZ AVEC POULET

2 lb (907 grammes) de riz
3 poivrons verts
4 gousses d'ail
4 poitrines de poulet
poivre noir au goût
bouillon de poulet, 1 enveloppe

1 oignon
2 carottes
céleri au goût
3 c. à soupe de sel
origan au goût
pâte de tomate

Préparation

Faire cuire le poulet dans l'eau, le sel le poivre noir, l'origan et le bouillon de poulet à l'aide du cuiseur de riz Oster à usages multiples. Lorsque la cuisson est terminée, déchiqueter le poulet dans l'eau qui a servi à la cuisson et ajouter les poivrons verts, l'oignon, l'ail, le céleri et les carottes, le tout finement haché. Faire cuire pendant 10 minutes et ajouter la pâte de tomate et le poulet déchiqueté. Lorsque la sauce est cuite, ajouter le riz non cuit et lavé et couvrir celui-ci légèrement plus que la normale.

SALADE DE RIZ ET DE THON

2 tasses de riz cuit
1 boîte de thon
3 œufs durs
Sel et poivre
Huile d'olive

2 poivrons au vinaigre*
100 g d'olives vertes
Mayonnaise
Feuilles de laitue
Vinaigre

Préparation

Faire cuire le riz dans le cuiseur de riz Oster à usages multiples de la façon traditionnelle, le retirer et le déposer dans un plat jusqu'à ce qu'il soit parfaitement froid. Couper en dés les poivrons cuits et trancher les œufs. Déchiqueter le thon et ajouter au riz, ainsi que le reste des ingrédients, tout en conservant quelques tranches d'œufs et d'olives pour décorer la salade. Assaisonner avec de l'huile d'olive, du sel, du poivre et du vinaigre. Servir la salade sur un plateau avec des feuilles de laitue et décorer avec les tranches d'œufs durs et d'olives.

* **Poivrons au vinaigre** : Laver et couper les poivrons en deux dans le sens de la longueur. Enlever les pépins et faire cuire les poivrons dans une casserole avec deux tasses d'eau et une demi-tasse de vinaigre et une pincée de sel. Retirer du feu après 15 minutes.

FLAN AU RIZ

1 tasse de riz	3 tasses d'eau
1 bâtonnet à la cannelle	2 clous de girofle entiers
1 ³ / ₄ tasse de lait évaporé	1 ¹ / ₄ tasse de lait concentré
1 c. à thé de pelure de citron et d'orange râpée	½ tasse de raisins foncés
1 c. à thé de vanille	¼ tasse de brandy au raisin
1 jaune d'œuf	Cannelle en poudre

Préparation

Dans le cuiseur de riz Oster® à usages multiples, faire cuire le riz prélavé avec 3 tasses d'eau, les bâtonnets de cannelle et les clous de girofle. Lorsque le riz est cuit, ajouter le lait évaporé et le lait concentré, la pelure de citron et d'orange râpée ainsi que les raisins. Continuer de remuer jusqu'à l'épaississement. Ajouter la vanille, le brandy au raisin et le jaune d'œuf bien fouetté. Saupoudrer de cannelle et servir.

PRECAUCIONES IMPORTANTES

Cuando utilice algún aparato eléctrico siempre debe seguir precauciones básicas de seguridad, incluyendo las siguientes:

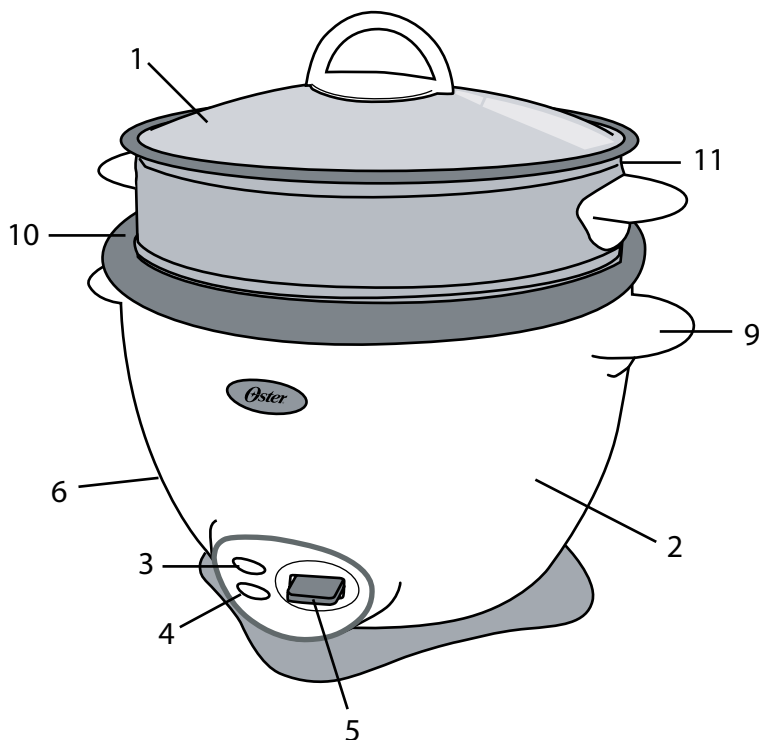
- **LEA TODAS LAS INSTRUCCIONES ANTES DE USAR**
- No toque superficies calientes. Use guantes resistentes al calor para quitar la Tapa o al manejar recipientes calientes para evitar quemaduras producidas por el vapor.
- Para protegerse contra una descarga eléctrica no sumerja el Cable, enchufe o el Cuerpo Calefactor en agua u otros líquidos.
- Tenga mucho cuidado al utilizar cualquier electrodoméstico cuando hay niños alrededor.
- Desenchufe el electrodoméstico del tomacorriente cuando no lo esté utilizando. Desenchufe la unidad antes de quitar o colocar piezas y deje que se enfríe antes de limpiarla.
- No opere ningún electrodoméstico que tenga el Cable o enchufe dañado, si la unidad no funciona correctamente o si se ha dañado de alguna manera. Lleve el electrodoméstico a un Centro Oster® de Servicio Autorizado para que lo revisen, reparen o ajusten.
- No lo utilice al aire libre.
- No permita que el Cable cuelgue del mostrador o la mesa ni toque superficies calientes.
- No lo coloque cerca o sobre una estufa a gas/ eléctrica o en un horno caliente.
- Tenga suma precaución al mover el electrodoméstico si contiene agua, alimentos calientes o cualquier otro líquido caliente.
- No utilice el electrodoméstico para un propósito distinto para el cual fue diseñado.
- Levante y abra la Tapa cuidadosamente para evitar quemarse y deje que el agua gotee hacia la Olla Interior.
- No utilice este electrodoméstico sin colocar la Tapa, pues produce vapor durante su funcionamiento.
- El uso de accesorios no recomendados por el fabricante del electrodoméstico pueden causar heridas.
- Si se usan los cables de extensión, la capacidad nominal eléctrica del cable de extensión debe ser igual o mayor que el amperaje que se muestra en el electrodoméstico y coloque el cordón de extensión de manera que no cuelgue sobre el borde del mostrador o mesa donde pueda halarlo un niño o tropezar con él accidentalmente.

- Este artefacto eléctrico no está destinado para ser usado por personas (incluyendo niños) cuyas capacidades físicas, sensoriales o mentales estén disminuidas, o carezcan de experiencia y conocimiento, a menos que una persona responsable por su seguridad les haya supervisado o instruido en el uso de este electrodoméstico. Los niños deberán estar bajo supervisión para cerciorarse de que no jueguen con el artefacto eléctrico.
- Se requiere estricta supervisión cuando las personas discapacitadas o los niños utilicen cualquier electrodoméstico o estén cerca de él.
- Este artefacto no ha sido diseñado para funcionar mediante un temporizador externo ni un sistema de control remoto.
- Este artefacto eléctrico ha sido diseñado para uso doméstico y aplicaciones similares tales como: uso de los empleados en las áreas de la cocina en comercios, oficinas u otros ambientes laborales; casas de campo; por huéspedes en hoteles, moteles, hosterías y otro tipo de ambiente tipo hotelero.

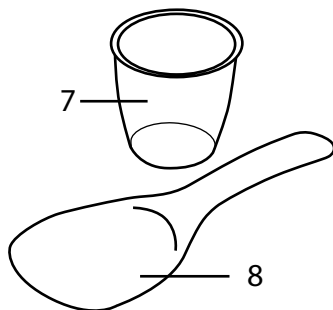
ESTA UNIDAD ES SÓLO PARA USO DOMÉSTICO.

GUARDE ESTAS INSTRUCCIONES

IDENTIFICACIÓN DE LAS PARTES



1. Tapa de Vidrio
2. Cuerpo Calefactor
3. Luz de Calentar (amarilla)
4. Luz de Cocción (roja)
5. Interruptor de Encendido
6. Cordón Eléctrico
7. Taza Medidora
8. Cucharón
9. Asas
10. Olla Interior
11. Bandeja para Cocinar al Vapor (modelos 4731, 4731R y CKSTRC4733 solamente)



INSTRUCCIONES DE USO

ANTES DE USAR POR PRIMERA VEZ

Limpie la Tapa de Vidrio, la Olla Interior, el Cucharón, la Bandeja para Cocinar al Vapor (modelos 4731, 4731R y CKSTRC4733 solamente) y la Taza Medidora de acuerdo con las instrucciones para el mantenimiento.

INSTRUCCIONES PARA LA ARROCERA

1. Asegúrese de que la Arrocera esté desconectada del tomacorriente.
2. Mida la cantidad deseada de arroz crudo con la taza graduada que se incluye de 180 ml. (Una taza de arroz crudo rinde aproximadamente dos tazas de arroz cocido). La capacidad máxima es de 7 tazas (1,2 L) de arroz crudo para el modelo 4728 y 4728R. La capacidad máxima es de 10 tazas (1,8 L) de arroz crudo para los modelos 4729, 4731/4731R y 4732. La capacidad máxima es de 12 tazas (2,2 L) de arroz crudo para el modelo 4730. La capacidad máxima es de 15 tazas (2,6 L) de arroz crudo para el modelo CKSTRC4733.
3. Con la ayuda de la Taza Medidora, agregue la cantidad correcta de agua al arroz dentro de la Olla Interior. Para un arroz más mojadito (pegajoso), agregue un poco más de agua. Para un arroz más suelto (esponjoso), use menos agua.
La taza proporcionada no iguala 1 taza:
El peso de arroz de 1 taza es 160g, el peso de una taza de agua es de 175g.
2 tazas de arroz necesitan 788g (4-1/2 tazas) de agua;
4 tazas de arroz necesitan 1200g (7 tazas) de agua;
6 tazas de arroz necesitan 1500g (8-1/2 tazas) de agua;
8 tazas de arroz necesitan 1720g (9-3/4 tazas) de agua;
10 tazas de arroz necesitan 1860g (10-2/3 tazas) de agua;
12 tazas de arroz necesitan 2232g (12-3/4 tazas) de agua;
15 tazas de arroz necesitan 2790g (16 tazas) de agua.
4. Coloque la Olla Interior del artefacto. Asegúrese de que ésta hace contacto con el Plato Calefactor, girándola ligeramente de derecha a izquierda hasta que esté colocada correctamente.
5. Cubra con la tapa. **NO OPERE ESTE ARTEFACTO SIN QUE ESTÉ CUBIERTO CON LA TAPA. EL VAPOR SE GENERA DURANTE EL USO.**
6. Conecte el Cable eléctrico. Encienda la Arrocera presionando el Interruptor de Encendido hacia abajo. Verifique que la Luz de Cocción (roja) esté iluminada.
7. Después de 15 minutos mezcle el arroz. Levante y abra la Tapa cuidadosamente para evitar quemarse y deje que el agua gotee hacia la Olla Interior. Use el Cucharón o cualquier otro utensilio con un mango largo para mezclar el arroz. Después de mezclar, cubra la Olla Interior con la Tapa.
8. Cuando el arroz ya esté cocido, la Arrocera automáticamente cambiará a la función de calentar y la Luz de Calentar (amarilla) se iluminará. La Arrocera permanecerá calentando hasta que la unidad sea desconectada del tomacorriente.

9. La Arrocera mantendrá el arroz caliente a una temperatura de 60°C – 80°C (140°F – 175°F) automáticamente.
10. Cuando la temperatura del arroz baje de este rango, la Luz de Calentar (amarilla) se apagará y la Luz de Cocción (roja) se encenderá indicando que ha iniciado el proceso de conservación de calor. Cuando la temperatura del arroz alcanza 60°C (140°F), la luz amarilla se iluminará nuevamente y la Luz de Cocción (roja) se apagará.
11. Permita que el aparato se enfríe completamente antes de limpiar.
Desconecte la Arrocera del tomacorriente cuando no la esté utilizando.

NOTAS:

Lave el arroz en un tazón por separado si así lo desea.

Para un arroz más suave, sugerimos que prepare el arroz y el agua en la Olla Interior y déjelo remojando de 10 a 20 minutos antes de cocinar.

INSTRUCCIONES PARA RECALENTAR EL ARROZ

Para recalentar arroz frío, agregue 1/4 de taza (4 cucharadas) de agua fría por cada taza de arroz, revuelva y mezcle, después presione el Interruptor de Encendido para cocinar. Cuando el arroz esté caliente, la Arrocera automáticamente cambiará a la función de calentar.

CÓMO USAR LA BANDEJA PARA COCINAR A VAPOR (MODELOS 4731, 4731R Y CKSTRC4733 SOLAMENTE)

Los vegetales cocinados al vapor retienen mucho más los nutrientes que los vegetales hervidos o cocidos y además conservan su color natural.

1. Prepare los vegetales, lávelos bien, pélelos y córtelos en trozos pequeños.
2. Asegúrese de que la Arrocera esté desconectada del tomacorriente.
3. Llene la Olla Interior con la cantidad de agua recomendada (Ver la Tabla).
4. Coloque la Olla Interior dentro del Cuerpo Calefactor. Asegúrese de que la Olla Interior haga contacto con el plato calefactor.
5. Coloque los vegetales en la Bandeja para Cocinar a Vapor y coloque la Bandeja encima de la Olla Interior. Cubra con la Tapa. **NO OPERE ESTE ARTEFACTO SIN QUE ESTÉ CUBIERTO CON LA TAPA. EL VAPOR SE GENERA DURANTE EL USO.**
6. Conecte la unidad al tomacorriente. Encienda la Arrocera presionando el Interruptor hacia abajo. Verifique que la Luz de Cocción (roja) esté iluminada.
7. Controle manualmente el tiempo de cocción de acuerdo al siguiente cuadro. La unidad pasará automáticamente al ciclo de mantener caliente al evaporarse toda el agua. Si toda el agua llega a evaporarse y usted desea los alimentos más cocidos, agregue más agua.
8. Una vez que los vegetales estén cocidos remueva la Bandeja para Cocinar al Vapor (modelos 4731 y 4731R solamente) de la Olla Interior.
9. Desconecte la Arrocera del tomacorriente y permita que se enfríe completamente antes de limpiar.

VEGETAL	CANTIDAD	AGUA	TIEMPO
Granos Verdes	10 onzas/ 300 g	1/3 taza/ 50 ml	30-35 minutos
Brócoli	10 onzas/ 300 g	1/3 taza/ 50 ml	30-35 minutos
Zanahoria	8 onzas/ 200 g	1/3 taza/ 50 ml	30-35 minutos
Coliflor	8 onzas/ 200 g	1/3 taza/ 50 ml	30-35 minutos
Maíz (Grano)	10 onzas/ 300 g	1/3 taza/ 50 ml	40-45 minutos
Guisantes	10 onzas/ 300 g	1/3 taza/ 50 ml	30-35 minutos
Espinaca	5 onzas/ 150 g	1/3 taza/ 50 ml	20-30 minutos
Vegetales Mixtos	10 onzas/ 300 g	1/3 taza/ 50 ml	30-35 minutos

NOTA: Estos tiempos son aproximados. Es recomendable que usted supervise el proceso de cocción al vapor y ajuste los tiempos de acuerdo a su preferencia. De vez en cuando, revuelva los vegetales durante el proceso de cocción. Al cocinar el arroz, el tiempo para cocer al vapor puede variar.

INSTRUCCIONES PARA EL MANTENIMIENTO

Limpiar la Arrocera después de cada uso.

- Desconecte la Arrocera del tomacorriente cuando no la esté utilizando y antes de limpiarla. ¡Nunca sumerja el Cuerpo Calefactor en agua o en ningún otro líquido! Permita que la Arrocera se enfríe antes de limpiarla.
- No use limpiadores abrasivos, esponjas de metal o lana para limpiar la Arrocera.
- Cuerpo Calefactor: limpie ligeramente el exterior con un paño o esponja húmedos. ¡No sumerja el Cuerpo Calefactor en agua o en ningún otro líquido! Seque bien con un paño suave.
- Olla Interior: llene con agua caliente y permita que esté así un tiempo, después lave con agua caliente jabonosa y una esponja; seque bien con un paño. También puede lavarse en lavaplatos.
- La Tapa, la Taza Medidora, el Cucharón y la Bandeja para Cocinar al Vapor (modelos 4731 y 4731R solamente): lave en agua tibia jabonosa. Enjuague bien y seque. **PRECAUCIÓN:** maneje la tapa con extremo cuidado, puede resbalarse cuando está mojada. También puede lavarse en lavaplatos.
- Plato Calefactor: granos de arroz y otros objetos extraños pueden pegarse al plato calefactor. Estos deben ser removidos para prevenir un funcionamiento inadecuado al cocinar. Para remover arroz cocido, un papel con lija suave puede usarse. Suavice y elimine los residuos para que la Olla Interior y el plato calefactor estén en contacto al cocinar.
- No hay partes que usted pueda reparar dentro de la Arrocera. No intente reparar este electrodoméstico ya que puede ser peligroso.

RECETAS

ARROZ A LA ESPAÑOLA

250 g de chorizo	2 tallos de apio cortado en rebanadas
1 cebolla mediana	1 pimiento verde cortado en cuadritos
1 cucharada de ají amarillo molido	2 tazas de arroz de grano largo
1 cucharadita de pimentón	3 tazas de caldo de pollo
2 tazas de tomates picados, sin piel ni semillas	Sal y pimienta al gusto
1 taza de arvejas	
1 pimiento rojo cortado en cuadritos	

Preparación

Pica la cebolla. En la Arrocera Multi-Usos Oster®, freír el chorizo cortado en rebanadas, agregar la cebolla, el ají, el pimentón y los tomates. Mezclar homogéneamente. Incorporar el resto de los vegetales, el arroz y el caldo, verificar la sazón, tapar y dejar cocinar hasta que esté listo. Decorar con perejil fresco. Servir caliente.

FETTUCCINI EN SALSA DE MANZANAS, CAMARONES Y CURRY

½ kg de fettuccini	1 taza de caldo de pollo
4 cucharadas de mantequilla	2 tazas de manzanas peladas y picadas en cuadritos
3 cucharadas de harina	½ kg de camarones
1 cucharadita de curry	Queso parmesano a gusto
½ taza de crema de leche	Jugo de un limón (para las manzanas)

Preparación

En la Arrocera Multi-Usos Oster®, derretir la mantequilla, agregar la harina y el curry. Cocer por 2 minutos. Agregar la crema de leche, el caldo de pollo, las manzanas y los camarones. Mover hasta que espese. Pase a la función de mantener caliente. En la Arrocera Multi-Usos Oster®, verter agua y sal suficientes para cocinar los fettuccini al dente. Servir el fettuccini con salsa y espolvorear con abundante queso parmesano.

ARROZ CON MARISCOS

453.6 g (1 libra)
de arroz con azafrán
113.4 g (¼ libra) de ostiones
1 taza de chícharos dulces
¼ pimiento rojo cortado en cuadros

12 almejas pequeñas
113.4 g (¼ libra) de
camarones limpios, con
o sin cola

Preparación

Lave las almejas tallando minuciosamente y enjuague muy bien. Prepare el arroz en la Arrocera Multi-Usos Oster®, siguiendo las instrucciones del empaque. Añada las almejas, los camarones, ostiones, chícharos y pimiento cinco minutos antes que el arroz se haya cocido. Mezcle bien con movimientos envolventes y sirva con trocitos de pan francés y una ensalada fresca. Opción: Puede sustituirse el arroz con azafrán por una mezcla de arroz integral.

MINISTRÓN MILANÉS

½ kg de pechuga de pollo
1 cucharada de albahaca
½ taza de frijolito fresco
½ cucharadita de orégano
½ taza de pimientos verdes picados
½ taza de calabacines picados
2 tazas de tomates pelados,
sin semillas y picados
2 cucharaditas de salsa inglesa
1 taza de queso parmesano
2 litros de agua

2 dientes de ajo picados
½ taza de apio
½ cucharadita de tomillo
½ taza de cebollas en rodajas
½ taza de champiñones
en rebanadas
3 papas medianas peladas
y cortadas en dados
½ kg de fideos canutos
3 cucharadas de margarina
Sal al gusto

Preparación

En la Arrocera Multi-Usos Oster®, verter el agua y hervir el pollo con la sal. Cuando el pollo esté cocido, retirar y cortar en cuadritos. Reservar el caldo. En la Arrocera Multi-Usos Oster®, derretir la margarina, agregar los ajos, la cebolla, el apio, el pimiento, los champiñones, el frijolito y los calabacines. Freír hasta que se ablanden. Agregar los tomates, luego las papas y freír por 5 minutos más. Agregar esta preparación al caldo de pollo, incorporar la salsa inglesa, el bouquet de hierbas (albahaca, tomillo, orégano), sal, pollo y fideos. Dejar cocinar por 10 minutos hasta que las papas estén cocidas pero firmes. Incorporar el queso parmesano revolviendo. Dejar por 2 minutos más. Al servir espolvorear con más queso.

ARROZ CON POLLO

0,9 kg arroz
3 aji dulce
4 dientes de ajo
4 pechugas de pollo
pimienta al gusto
caldo de pollo, 1 sobre

1 cebolla
2 zanahorias
apio al gusto
3 cucharadas de sal
orégano al gusto
pasta de tomate

Preparación

Se cocina el pollo en agua, sal, pimienta, orégano, caldo de pollo en su Arrocera Multi-Usos Oster®. Al estar listo se deshilacha el pollo en el agua que se cocinó, se hierven el ají, la cebolla, ajo, apio, zanahoria todo bien picadito, 10 minutos de cocimiento, se le agrega pasta de tomate y el pollo deshilachado. Luego de tener la salsa se le agrega al arroz crudo y limpio tapando el arroz un poco más de lo normal.

ENSALADA DE ARROZ CON ATÚN

2 tazas de arroz cocido
1 lata de atún
3 huevos duros
Sal y pimienta
Aceite de oliva

2 pimientos en vinagre*
100 g de aceitunas verdes
Mayonesa
Hojas de lechuga
Vinagre

Preparación

Cocinar el arroz en la Arrocera Multi-Usos Oster® en la forma tradicional, retirarlo y colocarlo en una fuente hasta que se enfríe totalmente. Cortar los pimientos cocidos en trocitos y los huevos duros en rodajas. Desmenuzar el atún e incorporarlo junto con el resto de los ingredientes al arroz, dejando algunas rodajas de huevo y aceitunas para decorar. Condimentar con aceite de oliva, sal, pimienta y vinagre. Vaciar la ensalada sobre una fuente decorada con hojas de lechuga y adornar con huevos duros y aceitunas.

* Pimientos en vinagre: lavar y cortar los pimientos por la mitad a lo largo. Quitarle las semillas y ponerlos a cocinar en una cacerola con dos tazas de agua y media taza de vinagre de vino con un poco de sal. Después de 15 minutos, retirar del fuego.

ARROZ CON LECHE

1 taza de arroz	3 tazas de agua
1 palito de canela	2 clavos de olor
1 $\frac{3}{4}$ taza de leche evaporada	1 $\frac{1}{4}$ lata de leche condensada
1 cucharadita de ralladura de limón y naranja	$\frac{1}{2}$ taza de pasas negras
1 cucharadita de vainilla	$\frac{1}{4}$ taza de pisco
1 yema de huevo	Canela en polvo

Preparación

En la Arrocera Multi-Usos Oster®, poner a hervir el arroz, previamente lavado, con las 3 tazas de agua, el palito de canela y los clavos de olor. Una vez cocido el arroz, agregar los dos tipos de leche, la ralladura y las pasas. Seguir moviendo hasta que tome cuerpo. Incorporar la vainilla, el pisco y la yema de huevo bien batida. Espolvorear con canela y servir.

PRECAUÇÕES IMPORTANTES

Ao usar a Painel Elétrica de Arroz Multi-Useo ou qualquer outro aparelho elétrico deve-se seguir as seguintes medidas de precauções básicas:

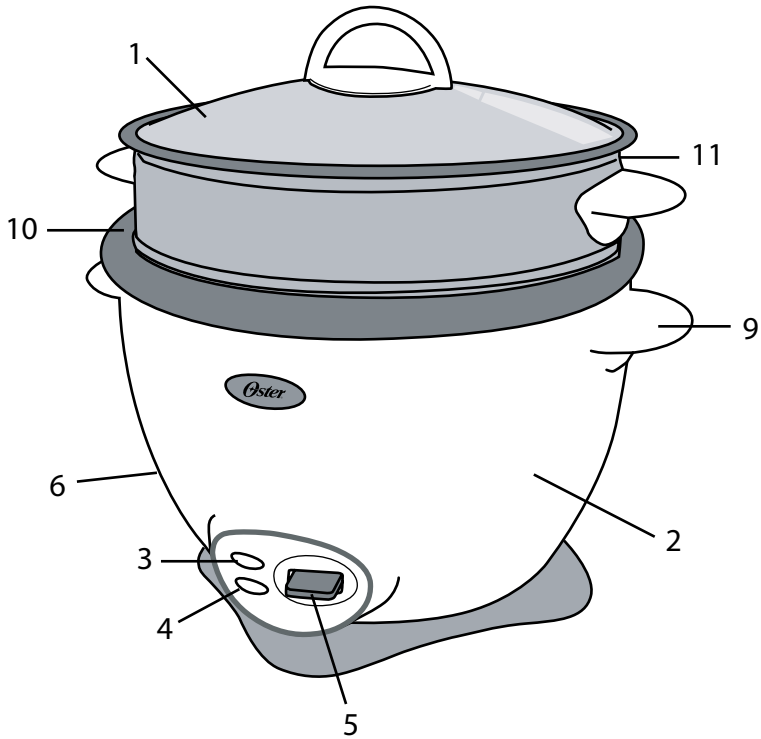
- **LEIA TODAS AS INSTRUÇÕES ATENTAMENTE ANTES DE USAR.**
- Não toque em superfícies quentes. Use um pano ou uma agarradeira resistente ao calor para tirar a Tampa ou ao mover algum recipiente quente para evitar queimaduras ocasionadas pelo vapor.
- Para evitar risco de choque elétrico, não submerja o Fio, a tomada ou a Estrutura de Aquecimento em água ou qualquer outro líquido.
- É necessário manter uma supervisão muito próxima quando este aparelho for usado perto de crianças.
- Desligue o aparelho da tomada, sempre que o mesmo não estiver em uso. Desligue da tomada e deixe esfriar antes de colocar ou retirar peças no eletrodoméstico e antes de limpá-lo.
- Não use nenhum eletrodoméstico que tenha o Fio ou o plugue danificado, após ter apresentado algum defeito ou após ter caído no chão. Leve-o a um Centro de Serviço Autorizado Oster® para que seja revisado ou reparado.
- Não use o aparelho ao ar livre.
- Não deixe o fio pendurado para fora da mesa ou superfície onde o aparelho estiver sendo usado, ou em contato com superfícies quentes.
- Não coloque o aparelho em cima ou perto de um fogão elétrico ou a gás, nem sobre um forno quente.
- Tenha extremo cuidado quando ao mover este eletrodoméstico se o mesmo estiver com alimentos ou líquidos quentes dentro.
- Não utilize este eletrodoméstico para outros fins que não sejam aqueles para os quais o mesmo foi projetado.
- Levante e retire a Tampa com cuidado para evitar queimaduras e deixe que a água esorra dentro da Painel Interna.
- Não utilize este eletrodoméstico sem que a Tampa esteja colocada sobre a Painel Interna, pois uma vez em funcionamento o mesmo produzirá vapor.
- O uso de peças de reposição não recomendadas pelo fabricante, podem causar fogo, descargas elétricas ou acidentes.
- Caso seja necessário o uso de uma extensão, (1) a capacidade elétrica nominal da mesma deve ser igual ou maior que a amperagem do eletrodoméstico, (2) coloque o fio de extensão de modo que o mesmo não fique pendurado para fora da mesa ou em um lugar onde uma criança possa puxar ou tropeçar acidentalmente.

- Este aparelho elétrico não está destinado a ser usado por pessoas (incluindo crianças) cujas capacidades físicas, sensoriais ou mentais estejam reduzidas ou careçam de experiência e conhecimento necessários para utilizá-lo, a menos que uma pessoa responsável por sua segurança tenha supervisionado ou instruído quanto ao uso deste eletrodoméstico. As crianças deverão estar sob supervisão para garantir que NÃO brinquem com o aparelho elétrico.
- É necessária a estrita supervisão quando se utilize o eletrodoméstico próximo a crianças ou pessoas incapacitadas.
- Este aparelho não foi desenvolvido para funcionar com um timer externo nem com um sistema de controle remoto.
- Este aparelho elétrico foi desenvolvido para usos doméstico e similares, tais quais; para uso de funcionários na cozinha de lojas, escritórios e outros ambientes de trabalho, casas de campo, por hóspedes de hotéis, pousadas, albergues e outros tipos de ambientes hoteleiros.

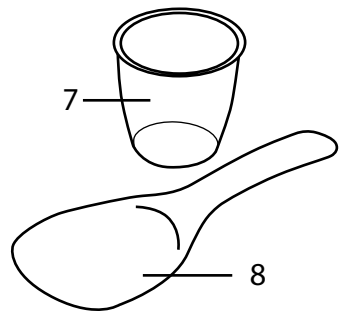
ESTE APARELHO É SOMENTE PARA USO DOMÉSTICO.

GUARDE ESTAS INSTRUÇÕES

IDENTIFICAÇÃO DAS PEÇAS



1. Tampa de Vidro
2. Estrutura de Aquecimento
3. Luz de Manter Quente (amarela)
4. Luz de Cozinhar (vermelha)
5. Botão para Ligar
6. Fio de Alimentação
7. Copinho Medidor (180 ml)
8. Colher Plástica
9. Alças
10. Panela Interna
11. Bandeja para Cozinhar ao Vapor (somente para os modelos 4731,4731R e CKSTRC4733)



INTRUÇÕES DE USO

ANTES DE USAR PELA PRIMEIRA VEZ

Limpe a Tampa de Vidro, a Panela Interna, a Colher de Plástico, o Copinho Medidor e a Bandeja para Cozinhar ao Vapor (somente para os modelos 4731, 4731R e CKSTRC4733) conforme indicado nas instruções de manutenção para usuário.

INSTRUÇÕES DE USO DA PANELA ELÉTRICA DE ARROZ MULTI-USO

1. Certifique-se de que a Arrozadeira esteja desconectada da tomada.
2. Meça a quantidade desejada de arroz cru com o medidor graduado de 180 ml que vem com o aparelho . (Uma xícara de arroz cru rende aproximadamente duas xícaras de arroz cozido). A capacidade máxima é de 7 xícaras (1,2 litros) de arroz cru para o modelo 4728 e 4728R. A capacidade máxima é de 10 xícaras (1,8 litros) de arroz cru para os modelos 4729, 4731/4731R e 4732. A capacidade máxima é de 12 xícaras (2,2 litros) de arroz cru para o modelo 4730. A capacidade máxima é de 15 xícaras (2,6 litros) de arroz cru para o modelo CKSTRC4733.
3. Com a ajuda do Copo Medidor, junte a quantidade correta de água ao arroz dentro da Panela Interior. Para um arroz mais úmido, coloque um pouco mais de água. Para um arroz mais solto use menos água.
O copo que vem com o eletrodoméstico não equivale à uma xícara:
O peso do arroz de 1 copo é 160g, o peso de um copo de água é de 175g.
2 copos de arroz necessitam 788g (4 -1/2 copos) de água;
4 copos de arroz necessitam 1200g (7 copos) de água;
6 copos de arroz necessitam 1500g (8-1/2 copos) de água;
8 copos de arroz necessitam 1720g (9-3/4 copos) de água;
10 copos de arroz necessitam 1860g (10-2/3 copos) de água;
12 copos de arroz necessitam 2232g (12-3/4 copos) de água;
15 copos de arroz necessitam 2790g (16 copos) de água.
4. Coloque a Panela Interior da Panela Elétrica de Arroz. Assegureis de que esta em contacto com o prato calefator, girando ligeiramente da direita para a esquerda até que fique colocada corretamente.
5. Cubra com a Tampa. **NÃO UTILIZE O APARELHO SEM A TAMPA POIS O MESMO PRODUZ VAPOR DURANTE O FUNCIONAMENTO.**
6. Ligue o Fio à uma tomada. Ligue o aparelho pressionando o Botão. Certifique-se de que a Luz de Cozinhar (vermelha) esteja acesa.
7. Após 15 minutos, misture o arroz. Levante e abra a Tampa com cuidado para não se queimar com o vapor e deixe que a água formada pelo vapor goteje dentro da Panela Interna. Use a Colher Plástica ou outro utensílio de cabo comprido para mecher. Após misturar cubra a Panela Interna com a Tampa.

- Quando o arroz estiver cozido, a Panela Elétrica de Arroz mudará automaticamente para a função manter quente e a Luz de Manter Quente (amarela) se acenderá. A Panela Elétrica de Arroz continuará mantendo o arroz quente até que a mesma seja deligada da tomada.
- A Panela Elétrica de Arroz Multi-Usos manterá o arroz aquecido a 140°F – 175°F (60°C – 80°C) automaticamente.
- Quando a temperatura do arroz ficar abaixo destas temperaturas, a Luz de Cozinhar (vermelha) se acenderá, indicando que o processo de preservação de aquecimento foi iniciado. Quando a temperatura do arroz chegar outra vez a 140°F (60°C), a Luz de Manter Quente (amarela) acenderá novamente e a Luz de Cozinhar se apagará.
- Deixe que o aparelho esfrie completamente antes de limpá-lo. Retire o fio da tomada quando o aparelho não estiver sendo usado.

OBSERVAÇÕES:

Lave o arroz medido em uma tigela separada, se desejar.

Para que obtenha um arroz mais macio, sugerimos que coloque o arroz e a água na Panela Interna e deixe de molho de 10 a 20 minutos antes de cozinhar.

INSTRUÇÕES SOBRE COMO REQUENTAR O ARROZ

Para requeentar o arroz cozido, coloque ¼ de xícara (4 colheres de sopa) de água fria para cada xícara de arroz cozido, misture e em seguida ligue o aparelho. Quando o arroz estiver quente, o aparelho passa automaticamente para a função de manter quente.

COMO USAR A BANDEJA PARA COZINHAR A VAPOR (SOMENTE PARA OS MODELOS 4731, 4731R E CKSTRC4733)

Os vegetais cozidos no vapor retem muito mais os nutrientes do que os vegetais fervidos ou assados, além de conservar sua cor natural.

- Prepare os vegetais, lave-os bem, retire a casca e corte em pedaços pequenos.
- Certifique-se de que o aparelho esteja desligado da tomada.
- Encha a Panela Interna com a quantidade de água recomendada (Veja a Tabela).
- Coloque a Panela Interna dentro da Estrutura de Aquecimento do aparelho.
Certifique-se de que a Panela Interna esta em contato direto com o elemento aquecedor do aparelho.
- Coloque os vegetais dentro do Bandeja para Cozinhar ao Vapor e coloque-a dentro da Panela Interna. Coloque a Tampa. **NÃO OPERE ESTE APARELHO SEM A TAMPA POIS O MESMO PRODUZ VAPOR DURANTE O FUNCIONAMENTO.**
- Ligue o Fio na tomada. Ligue a Panela Elétrica de Arroz pressionado o Botão para baixo. Certifique-se que a Luz de Cozinhar (vermelha) esteja ligada.
- Controle o tempo de cozimento manualmente, usando a tabela abaixo. O aparelho irá automaticamente mudar para o ciclo de manter quente assim que toda a água evaporar. Caso toda a água já tiver evaporado e você deseje os alimentos ainda mais cozidos, adicione mais água.
- Quando os vegetais estiverem cozidos, retire a Bandeja para Cozinhar ao Vapor da Panela Interna (somente para os modelos 4731 e 4731R).
- Desligue o aparelho da tomada e deixe-o esfriar antes de limpá-lo.

VEGETAL	QUANTIDADE	ÁGUA	TEMPO
Vagem	10 onças/ 300 g	1/3 xícaras/ 50 ml	30-35 minutos
Brocoli	10 onças/ 300 g	1/3 xícaras/ 50 ml	30-35 minutos
Cenora (Em fatias)	8 onças/ 200 g	1/3 xícaras/ 50 ml	30-35 minutos
Couveflor	8 onças/ 200 g	1/3 xícaras/ 50 ml	30-35 minutos
Milho (Em grãos)	10 onças/ 300 g	1/3 xícaras/ 50 ml	40-45 minutos
Ervilhas	10 onças/ 300 g	1/3 xícaras/ 50 ml	30-35 minutos
Espinafre	5 onças/ 150 g	1/3 xícaras/ 50 ml	20-30 minutos
Vegetais Mixtos	10 onças/ 300 g	1/3 xícaras/ 50 ml	30-35 minutos

OBSERVAÇÃO: Estes tempos são aproximados. Recomenda-se a supervisão do processo de cozimento ao vapor para ajuste dos tempos de acordo com a preferência. De vez em quando, mecha os vegetais durante o processo de cozimento. Quando estiver cozinhando arroz, o tempo de cozimento ao vapor poderá variar.

INSTRUÇÕES SOBRE MANUTENÇÃO PARA O USUÁRIO

Este aparelho deve ser limpo sempre que for usado.

1. Retire o Fio da Panela Elétrica de Arroz Multi-Usado Oster® da tomada quando não estiver sendo usada ou antes da limpeza. Jamais deixe a Estrutura de Aquecimento do aparelho imersa em água ou em qualquer outro líquido. Deixe que a Panela Elétrica de Arroz Multi-Usado esfrie completamente antes de limpá-la.
2. Não use materiais de limpeza abrasivos, esponjas ou palha de aço para limpar a Panela Elétrica de Arroz Multi-Usado.
3. Estrutura de Aquecimento: Limpe suavemente o exterior com um pano ou esponja macia levemente úmida. Seque bem com um pano macio.
4. Panela Interna: Encha com água quente e deixe de molho por algum tempo e então lave com água quente e sabão usando uma esponja secando bem com um pano. A mesma também pode ser lavada na lavalouças.
5. Tampa, Copinho Medidor e Colher Plástica: Lave-os com água quente e sabão. Enxágüe bem e seque-os. Cuidado: Pegue a tampa com extremo cuidado pois a mesma fica escorregadia quando molhada.
6. Elemento de Aquecimento: Grãos de arroz ou outros resíduos poderão grudar no elemento aquecimento do aparelho. Esses resíduos devem ser removidos para evitar o cozimento inadequado. Para removê-los use uma lixa macia. Passe a lixa e dê um polimento leve no local até a total remoção dos resíduos para conservar o intacto o contato entre o elemento de aquecimento e o fundo da Panela Interna.
7. Não há nenhuma peça dentro do aparelho que possa ser consertada pelo usuário. Não tente você próprio consertá-lo, pois poderá tornar o aparelho perigoso para o uso.

RECEITAS

ARROZ À ESPANHOLA

250 g de lingüiça defumada	1 cebola média
1 colher de sobremesa de cúrcuma ou açafrão moídos	1 colher de café de páprica
1 xícara de ervilhas	2 xícaras de tomates picados, sem pele e sem sementes
1 pimentão vermelho cortado em cubinhos	2 talos de aipo cortado em fatias
1 pimentão verde cortado em cubinhos	2 xícaras de arroz de grão longo
3 xícaras de caldo de galinha	
Sal e pimenta-do-reino	

Preparação

Pique a cebola. Na Panela Elétrica de Arroz Multi-Usos Oster®, fritar a lingüiça cortada em rodela, adicionar a cebola, o pimentão e os tomates. Misturar bem. Incorporar o resto dos legumes, o arroz e o caldo de galinha. Verifique e ajuste o sal, se necessário, tampe e deixe cozinhar até que esteja pronto. Decore com salsinha fresca. Sirva quente.

FETTUCINI COM MOLHO DE MAÇÃ, CAMARÃO E CURRY

½ kg de fettuccini	4 colheres de sopa de manteiga
3 colheres de sopa de farinha de trigo	1 colher de chá de curry
½ xícara de creme de leite	1 xícara de caldo de galinha
2 xícaras de maçãs descascadas e picadas em cubinhos	½ kg de camarões
Suco de um limão (para as maçãs)	Queijo parmesão a gosto

Preparação

Na Panela Elétrica de Arroz Multi-Usos Oster®, derreta a manteiga, adicione a farinha e o curry. Cozinhe por 2 minutos. Adicione o creme de leite, o caldo de galinha, as maçãs e os camarões. Mexa até engrossar. Retire e mantenha quente. Na Panela Elétrica de Arroz Multi-Usos Oster®, coloque água e sal suficientes para cozinhar a massa ao dente, seguindo as instruções do fabricante. Sirva a massa com o molho quente e polvilhe com bastante queijo ralado.

ARROZ COM MARISCOS

453.6 g (1 libra)
de arroz com açafrão
113.4 g (¼ libra) de ostras
¼ de pimentão vermelho
cortado em cubos

12 mexilhões pequenos
113.4 g (¼ libra) de camarões
limpos, com ou sem casca
1 xícara de ervilhas

Preparação

Lave os mexilhões com cuidado e enxágüe muito bem. Cozinhe o arroz na Panela Elétrica de Arroz Multi-Usos Oster®, seguindo as instruções de uso. Adicione os mexilhões, os camarões, as ostras, as ervilhas e o pimentão cinco minutos antes do término do cozimento do arroz. Misture bem e sirva com fatias de pão francês e uma salada fresca. Opcional: pode-se substituir o arroz com açafrão por uma mistura de arroz integral.

MINISTRONE MILANÊS

½ kg. de peito de frango
1 colher de sopa de manjericão
½ xícara de feijões verdes
½ colher de chá de orégano
½ xícara de pimentão verde picado
½ xícara de champignon em fatias
2 xícaras de tomate picado, sem
pele e sem sementes
2 colheres de chá de molho inglês
1 xícara de queijo parmesão
3 colheres de sopa de margarina
Sal

2 dentes de alho picados
½ xícara de aipo
½ colher de chá de tomilho
½ xícara de cebola em
rodela
½ xícara de abobrinha picada
3 batatas médias, descascadas
e cortadas em cubos
½ kg. de macarrão cabelo de anjo
de anjo
2 litros de água

Preparação

Na Panela Elétrica de Arroz Multi-Usos Oster®, coloque a água e ferva o frango com sal. Quando o frango estiver cozido, retire e corte em cubinhos. Na mesma Panela Elétrica de Arroz Multi-Usos Oster®, derreta a margarina, adicione o alho, a cebola e o aipo, o pimentão, o champignon, o feijão e a abobrinha. Refogue os legumes até que fiquem macios. Adicione o tomate, em seguida a batata e refogue por mais 5 minutos. Acrescente o caldo de galinha, o molho inglês, o buquê de ervas (manjericão, tomilho e orégano), o sal, o frango e o macarrão. Deixe cozinhar por 10 minutos, até que as batatas estejam cozidas, mas firmes. Incorpore o queijo parmesão e mexe. Deixe cozinhar por mais 2 minutos. Sirva polvilhando com mais queijo.

RISOTO DE FRANGO

21 kg de arroz
3 pimentões doces
4 dentes de alho
4 peitos de frango
pimenta-do-reino a gosto
1 cubo de caldo de galinha

1 cebola
2 cenouras
alho a gosto
3 colheres de sal
orégano a gosto
massa de tomate

Preparação

Cozinhe o frango em água, sal, pimenta-do-reino, orégano, caldo de galinha na Panela Elétrica de Arroz Multi-Usos Oster®. Quando estiver pronto, retire e desfie o frango. Na água em que o frango foi cozido, acrescente o pimentão doce, a cebola, o alho, o aipo, a cenoura, todos bem picados. Cozinhe por 10 minutos e adicione a massa de tomate e o frango desfiado. Quando o molho estiver pronto, acrescente o arroz cru previamente lavado e deixe cozinhar por um tempo um pouco maior do que o normal.

SALADA DE ARROZ COM ATUM

2 xícaras de arroz cozido
1 lata de atum
3 ovos cozidos
Sal e pimenta-do-reino
Azeite de oliva

2 pimentões em vinagre*
100 g de azeitonas verdes
Maionese
Folhas de alface
Vinagre

Preparação

Cozinhe o arroz na Panela Elétrica de Arroz Multi-Usos Oster® da forma tradicional, retire e coloque em uma tigela até que esfrie totalmente. Corte os pimentões já cozidos em pedacinhos e os ovos cozidos em rodela. Desfaça o atum e incorpore, juntamente com os outros ingredientes ao arroz, deixando algumas rodela de ovo e algumas azeitonas para decorar. Tempere com azeite de oliva, sal, pimenta-do-reino e vinagre. Passe a salada já temperada para um prato decorado com as folhas de alface e termine a decoração com os ovos cozidos e as azeitonas.

*** Pimentões em vinagre: lavar e cortar os pimentões na metade ou pelo comprimento. Retire as sementes e a parte branca interior e cozinhe em uma panela com duas xícaras de água e meia xícara de vinagre de vinho com um pouco de sal. Deixe cozinhar por 15 minutos e retire do fogo.**

ARROZ DOCE

1 xícara de arroz	3 xícaras de água
1 pedaço de canela	2 cravos da Índia
1 $\frac{3}{4}$ xícara de leite	1 $\frac{1}{4}$ lata de leite condensado
1 colher de chá de raspas de limão e de laranja	$\frac{1}{2}$ xícara de uva passa
1 colher de chá de baunilha	$\frac{1}{4}$ xícara de conhaque ou de outro destilado
1 gema de ovo	
Canela em pó	

Preparação

Na Panela Elétrica de Arroz Multi-Usos Oster®, coloque o arroz, já lavado, para ferver com as 3 xícaras de água, a canela e os cravos da Índia. Após o cozimento, adicione o leite e o leite condensado, as raspas dos cítricos e a uva. Mexa até que engrosse. Acrescente a baunilha, o conhaque e a gema de ovo bem batida. Polvilhe com canela e sirva.



The following information is intended for Mexico only

ARROCERA MULTIUSOS OSTER®
MODELOS: 4728, 4728-013, 4728R, 4728R-13, 4729,
4729-013, 4730, 4730-013, 4731, 4731-013, 4731R, 4731R-13,
4732, 4732-013, CKSTRC4733, CKSTRC4733-013
LEA EL INSTRUCTIVO ANTES DE USAR EL APARATO
LA SIGUIENTE INFORMACIÓN ES PARA MÉXICO:
IMPORTADOR: SUNBEAM MEXICANA, S.A. DE C.V.
AV. JUÁREZ No. 40-201,
EX-HACIENDA DE SANTA MÓNICA,
TLALNEPANTLA, ESTADO DE MÉXICO,
C.P. 54050, R.F.C. SME570928G90, TEL. 53660800
PAÍS DE ORIGEN: CHINA
PAÍS DE PROCEDENCIA: CHINA, E.U.A.

MODELO	CARACTERÍSTICAS ELÉCTRICAS		
4728, 4728-013	60 Hz	120 V~	500 W
4728R, 4728R-013	60 Hz	120 V~	500 W
4729, 4729-013	60 Hz	120 V~	700 W
4730, 4730-013	60 Hz	120 V~	900 W
4731, 4731-013	60 Hz	120 V~	700 W
4731R, 4731R-013	60 Hz	120 V~	700 W
4732, 4732-013	60 Hz	120 V~	700 W
CKSTRC4733,	60 Hz	127 V~	1100 W
CKSTRC4733-013			

CONTENIDO: 1 PIEZA



© 2013 Sunbeam Products, Inc. All rights reserved. Distributed by Sunbeam Latin America, LLC,
5200 Blue Lagoon Drive, Suite 470, Miami, FL 33126.
One year limited warranty – please see insert for details.

© 2013 Sunbeam Products, Inc. Tout droit réservé. Distribuï par by Sunbeam Latin America, LLC,
5200 Blue Lagoon Drive, Suite 470, Miami, FL 33126.
Une année de garantie limitée – veuillez lire le feuillet sur la garantie pour plus de détails.

© 2013 Sunbeam Products, Inc. Todos los derechos reservados. Distribuïdo por Sunbeam Latin
America, LLC, 5200 Blue Lagoon Drive, Suite 470, Miami, FL 33126.
Garantía limitada de un año – por favor consulte los detalles en el inserto.

© 2013 Sunbeam Products, Inc. Todos os direitos reservados. Distribuïdo pela Sunbeam Latin
America, LLC, 5200 Blue Lagoon Drive, Suite 470, Miami, FL 33126.
Garantia limitada de um ano – para maiores detalhes, consulte o certificado.

www.oster.com