



Para la información de garantía aplicable a Latino América favor consulte tarjeta de garantía adjunta en el empaque del producto.

Características eléctricas de los modelos de la serie: CKSTAF40M-XXX Electric characteristics of series models:		
Voltaje/Voltage	Frecuencia/Frequency	Potencia/Power
120 V	60 Hz	1 500 W
127 V	60 Hz	1 500 W
220 V	50/60 Hz	1 260 W
220 V	50 Hz	1 260 W

XXX en donde X es cualquier numero entre 0 y 9 o cualquier letra entre A y Z.
XXX where X is any number between 0 and 9 or any letter between A and Z.

OSTER® FREIDORA DE AIRE DE 4L
 MODELOS: CKSTAF40M-013
LA SIGUIENTE INFORMACIÓN ES PARA MÉXICO:
 IMPORTADOR: NEWELL BRANDS DE MÉXICO S.A. DE C.V.
 AVE. JUÁREZ N° 40-201, COLONIA EX HACIENDA SANTA MÓNICA,
 TLALNEPANTLA 54050, ESTADO DE MÉXICO
 TEL: 5366-0800
 RFC SME570928G90
 PAÍS DE ORIGEN: CHINA
 PAÍS DE PROCEDENCIA: CHINA
 LEA EL INSTRUCTIVO ANTES DE USAR EL APARATO
 CARACTERÍSTICAS ELÉCTRICAS
 60 Hz 127 V 1 500 W
 CONTENIDO: 1 PIEZA

NOM

For product questions contact:

Oster Consumer Service
 USA : 1.800.334.0759
 Mexico: 1.800.506.1700
 Colombia: 1.800.018.0360
 Peru: 380.0199
 Chile: 56225945098
 Argentina: 5530.3600

www.oster.com / www.osterlatinamerica.com

Para preguntas sobre los productos, comuníquese a:

Oster Consumer Service
 EE.UU.: 1.800.334.0759
 Mexico: 1.800.506.1700
 Colombia: 1.800.018.0360
 Peru: 380.0199
 Chile: 56225945098
 Argentina: 5530.3600

www.oster.com / www.osterlatinamerica.com

© 2020 Sunbeam Products, Inc. All rights reserved. Distributed by Sunbeam Products, Inc., Boca Raton, Florida 33431.

© 2020 Sunbeam Products, Inc. Todos los derechos reservados. Distribuido por Sunbeam Products, Inc., Boca Ratón, Florida 33431.

Printed In China

CKSTAF40M_CKSTAF40M_CKSTAF40M_20SEM1 (LA)
 GCDS-OST1255985-LD

Impreso en China

P.N. 0000860158



4L Air Fryer

Freidora de Aire de 4L

Instruction Manual

Manual de Instrucciones

READ ALL INSTRUCTIONS BEFORE USING THIS APPLIANCE.
 LEA TODAS LAS INSTRUCCIONES ANTES DE UTILIZAR ESTE PRODUCTO.

MODELS / MODELOS CKSTAF40M-013, CKSTAF40M-052, CKSTAF40M-053

www.oster.com
www.osterlatinamerica.com

important safeguards

WHEN USING ELECTRICAL APPLIANCES, BASIC SAFETY PRECAUTIONS SHOULD ALWAYS BE FOLLOWED INCLUDING THE FOLLOWING:

1. Read all instructions before using this product.
2. ⚠ This appliance generates heat during use. Do not touch hot surfaces. Use handles or knobs. Allow to cool before handling.
3. To protect against electric shock, do not place or immerse cord, plugs, or appliance in water or other liquid.
4. This appliance shall not be used by children. Keep the appliance and its cord out of reach of children. Children shall not play with the appliance. Appliances can be used by persons with reduced physical, sensory or mental capabilities or lack of experience and knowledge if they have been given supervision or instruction concerning use of the appliance in a safe way and understand the hazards involved.
5. Unplug from outlet when not in use, before putting on or taking off parts and before cleaning. Allow to cool before putting on or taking off parts, and before cleaning. To disconnect, turn timer knob to ZERO, then unplug power cord from outlet.
6. Do not operate any appliance with a damaged cord or plug or after the appliance malfunctions, or has been damaged in any manner. Do not attempt to replace or splice a damaged cord. Return appliance to the manufacturer (see warranty) for examination, repair or adjustment.
7. The use of accessory attachments not recommended by the appliance manufacturer may cause injuries.
8. Do not use outdoors or for commercial purposes.
9. Do not let cord hang over edge of table or counter, or touch hot surfaces.
10. Do not place on or near wet surfaces, or heat sources such as a hot gas or electric burner, or in a heated oven.
11. Extreme caution must be used when moving an appliance containing hot oil or other hot liquids.
12. Use caution when opening the basket during or after a cooking cycle. Escaping steam and spilled food can cause serious burns.
13. ⚠ Hot steam is released during air fryer operation. Keep your hands and face at a safe distance from the vent.
14. Do not use appliance for other than intended use. Misuse can cause injuries.
15. This appliance is designed to be used ONLY for household applications, for guest usage in motels and hotels, for big country houses, for dining or housing environments, and the kitchen area in stores, offices or other working environments. Keep 6 inches (152mm) clear from the wall and on all sides. Always use appliance on a dry, stable, level surface.
16. Never operate this appliance by means of an external timer or separate remote-control system.
17. Do not move or cover the Air Fryer while it is in operation.

SAVE THESE INSTRUCTIONS
HOUSEHOLD USE ONLY

Models with polarized plugs:



POLARIZED PLUG

This appliance has a polarized plug (one blade wider than the other). As a safety feature to reduce the risk of electrical shock, this plug is intended to fit in a polarized outlet only one way. If the plug does not fit fully in the outlet, reverse the plug. If it still does not fit, contact a qualified electrician. Do not attempt to defeat this safety feature or modify the plug in any way. If the plug fits loosely into the AC outlet or if the AC outlet feels warm do not use that outlet.

POWER CORD INSTRUCTIONS:

A short power-supply cord or detachable power-supply cord is provided to reduce risks resulting from becoming entangled in or tripping over a longer cord. Longer detachable power-supply cords or extension cords are available and may be used if care is exercised in their use. If a long detachable power-supply cord or extension cord is used:

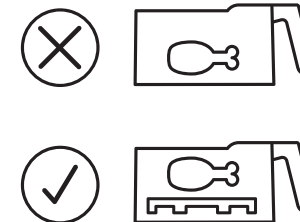
- a. The marked electrical rating of the cord set or extension cord should be at least as great as the electrical rating of the appliance;
- b. The cord should be arranged so that it will not drape over the countertop or tabletop where it can be pulled on by children or tripped over unintentionally; and
- c. If the appliance is of the grounded type, the cord set or extension cord should be a grounding-type 3-wire cord.

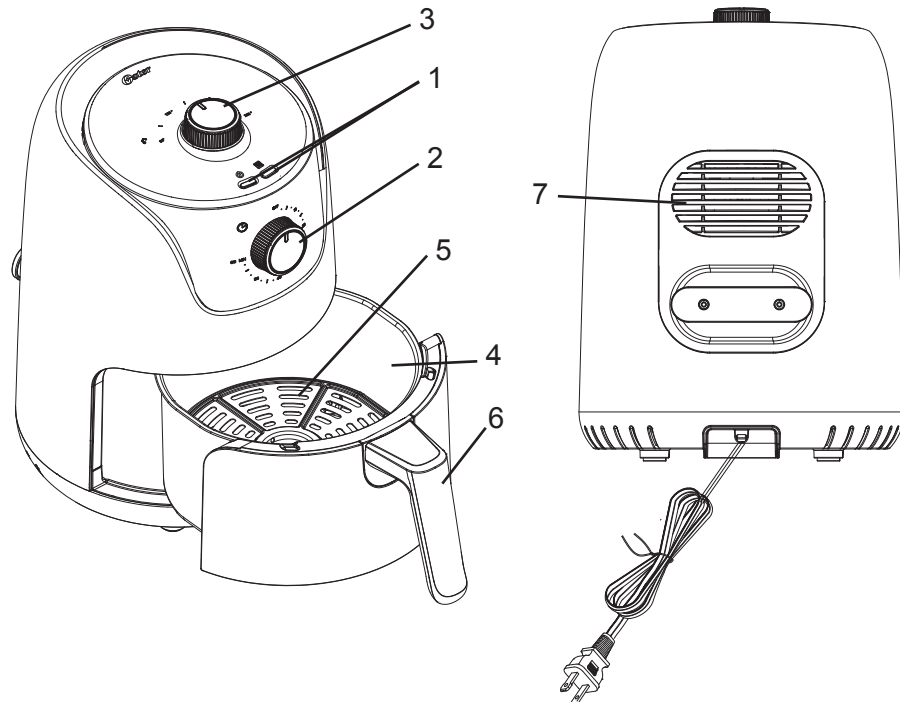
Do not pull, twist or otherwise abuse the power cord.

NOTICES

1. Some countertop and table surfaces are not designed to withstand the prolonged heat generated by certain appliances. Do not set the heated unit on a finished wood table. We recommend placing a hot pad or trivet under your Air Fryer to prevent possible damage to the surface.
2. During initial use of this appliance, some slight smoke and/or odor may be detected. This is normal and should go away after a few uses.

To ensure foods are cooked properly, place the cooking tray into the cooking basket. Do not use the Air Fryer without the cooking tray.





- 1. Power and heat indicators
- 2. Time control knob
- 3. Temperature control knob
- 4. Cooking basket
- 5. Removable cooking tray
- 6. Handle
- 7. Heating fan vent cover

⚠ Never immerse any part of the Air Fryer body, power cord or plug in water or any other liquid. Before assembling or disassembling your Air Fryer, ensure it is unplugged and all parts are cool.

Unpack the appliance and remove all packaging, promotional materials and stickers. Remove all printed documents. Wash the inner cooking basket and the cooking tray with hot, soapy water. Rinse then dry all of the parts. Lightly cover the entire cooking surface with cooking oil. Turn on the appliance and warm to maximum heat. Then turn off and cool completely. Clean excess oil off with hot water without rubbing. Finally, dry the surface with a dry cloth. Now the Air Fryer is ready to be used.

guide to oils and fats

Using your Air Fryer to cook food will help you to reduce the amount of oil needed in some recipes, which may benefit your diet.

The table below lists some of the more widely available, popular oils. All of them can be used in your Air Fryer. However, for best results, we recommend Vegetable or Rapeseed oil.

Oil Type	Use
Vegetable oil	Shallow, deep and stir frying.
Rapeseed oil (often called vegetable oil)	Shallow, deep and stir frying.
Corn oil	Shallow, deep and stir frying.
Sunflower oil	Shallow, deep and stir frying.
Olive oil	Shallow and stir frying. Marinades, dressings, drizzling.
Sesame oil	Shallow, deep and stir frying. Marinades, drizzling.
Peanut oil (often called ground nut oil)	Shallow and stir frying. Dressings. Adds a nutty flavour.
Grape Seed oil	Shallow, deep and stir frying.

cooking

Your Air Fryer can be used to cook fresh or frozen foods. Always ensure that the ingredients are evenly coated with oil. This appliance is not intended to cook popcorn.

1. Plug the Air Fryer into an electrical outlet.
2. Turn the temperature control knob to the required temperature.
3. To switch the Air Fryer on, turn the time control knob to the desired cooking time. The power and heating lights will illuminate.
Note: For best results, add an additional 3-5 minutes for preheat before placing food in the Air Fryer.
4. Use the handle to gently pull the cooking basket from the air fryer. Ensure that the cooking tray is properly in place and place food in the cooking basket. Replace the basket back into the air fryer properly. If the basket is not inserted properly, the appliance will not operate.
5. To ensure crispiness, some foods require shaking halfway through the cooking process. To do this, pull the cooking basket out of the appliance by the handle and gently shake/stir the food. Then slide the basket back into the air fryer and continue to cook.
Note: The removable cooking tray may move out of place when shaking/stirring food in the basket. Ensure the cooking tray is in the proper position before returning the basket to the air fryer to continue cooking.
6. When you hear the timer bell, the set cooking time has finished. Pull the basket out of the appliance and place it on a heat resistant surface. Check if the foods are ready. If not, simply put back into the Air Fryer and set the time for a few extra minutes.
7. When the food is ready, carefully pull the cooking basket from the air fryer and empty food into serving bowl or plate. Be careful that the cooking tray does not come loose. For larger more fragile items, use tongs to lift the food out of the basket.
8. Do not use metallic utensils to take food residues out from the cooking tray or the cooking basket.
9. Use heat resistant, non-metallic utensils, to take out food from the removable cooking tray.

cooking popular and frozen foods

The following table provides basic cooking guidelines for popular and frozen foods. Please note that due to the variations in thickness and size of the foods being cooked some experimentation may be required for the best cooking results. Always ensure that the food is thoroughly cooked to food-safe temperature throughout before consuming.

Note: For crispier results it is recommended to shake the fryer basket 1-2 times throughout the cooking cycle.

Food	Cooking Time (mins)	Cooking Temp (Degrees F)	Notes	Oil (TBSP)
20oz frozen fries	18-20	400	Remove and shake basket periodically	-
8/10oz frozen fries	12-16	400	Remove and shake basket periodically	-
8oz frozen potato tots	12-16	400	Cover basket in one layer	-
8oz frozen cheese sticks	8-10	400	Cover basket in one layer	-
16oz frozen hash browns	8-10	400	Coat basket lightly with oil	1
Frozen pizza	6-8	400		-
Frozen turkey burger	10-12 medium well 13-15 well done	400	Flip once	-
Frozen beef burger	8-10 medium well 11-13 well done	400	Flip once	-
Frozen small chicken nuggets	14-16	400	Cover basket in one layer	-
Fresh chicken breast	16-20	400	Wash and pat dry	1
Fresh chicken drumsticks	20-25	400	Wash and pat dry	1

Always unplug your Air Fryer and allow it to cool completely before cleaning it. NEVER immerse the MAIN body, power cord or plug in water or any other liquid. Never use harsh abrasive cleaners or cleaning materials.

- Carefully wipe any oil spatter from the heating fan cover with kitchen paper. Wipe over the outer body with a clean, slightly damp cloth and dry.
- Wash the removable cooking basket, cooking tray and handle with warm soapy water using a cloth, sponge or non-abrasive brush. Dry completely before use or storage.

This appliance has no user serviceable parts. Any servicing beyond that described in the Cleaning Section should be performed by an Authorized Service Representative only. See Warranty Section.

In North America

Sunbeam Products, Inc. or if in Canada, Newell Brands Canada ULC (collectively "Sunbeam") warrants that for a period of one year from the date of purchase, this product will be free from defects in material and workmanship. Sunbeam, at its option, will repair or replace this product or any component of the product found to be defective during the warranty period. Replacement will be made with a new or remanufactured product or component. If the product is no longer available, replacement may be made with a similar product of equal or greater value. This is your exclusive warranty. Do NOT attempt to repair or adjust any electrical or mechanical functions on this product. Doing so will void this warranty.

This warranty is valid for the original retail purchaser from the date of initial retail purchase and is not transferable. Keep the original sales receipt. Proof of purchase is required to obtain warranty performance. Sunbeam dealers, service centers, or retail stores selling Sunbeam products do not have the right to alter, modify or any way change the terms and conditions of this warranty.

This warranty does not cover normal wear of parts or damage resulting from any of the following: negligent use or misuse of the product, use on improper voltage or current, use contrary to the operating instructions, disassembly, repair or alteration by anyone other than Sunbeam or an authorized Sunbeam service center. Further, the warranty does not cover: Acts of God, such as fire, flood, hurricanes and tornadoes.

What are the limits on Sunbeam's Liability?

Sunbeam shall not be liable for any incidental or consequential damages caused by the breach of any express, implied or statutory warranty or condition.

Except to the extent prohibited by applicable law, any implied warranty or condition of merchantability or fitness for a particular purpose is limited in duration to the duration of the above warranty.

Sunbeam disclaims all other warranties, conditions or representations, express, implied, statutory or otherwise.

Sunbeam shall not be liable for any damages of any kind resulting from the purchase, use or misuse of, or inability to use the product including incidental, special, consequential or similar damages or loss of profits, or for any breach of contract, fundamental or otherwise, or for any claim brought against purchaser by any other party.

Some provinces, states or jurisdictions do not allow the exclusion or limitation of incidental or consequential damages or limitations on how long an implied warranty lasts, so the above limitations or exclusion may not apply to you.

This warranty gives you specific legal rights, and you may also have other rights that vary from province to province, state to state or jurisdiction to jurisdiction.

How to Obtain Warranty Service

In the U.S.A.

If you have any question regarding this warranty or would like to obtain warranty service, please call 1-800-334-0759 and a convenient service center address will be provided to you.

In Canada



If you have any question regarding this warranty or would like to obtain warranty service, please call 1-800-667-8623 and a convenient service center address will be provided to you.

In the U.S.A., this warranty is offered by Sunbeam Products, Inc. located in Boca Raton, Florida 33431. In Canada, this warranty is offered by Newell Brands Canada ULC, located at 20 B Hereford Street, Brampton, Ontario L6Y 0M1. If you have any other problem or claim in connection with this product, please write our Consumer Service Department.

PLEASE DO NOT RETURN THIS PRODUCT TO ANY OF THESE ADDRESSES OR TO THE PLACE OF PURCHASE.


FOR WARRANTY INFORMATION FOR LATIN AMERICA PLEASE REFER TO THE WARRANTY CARD ATTACHED IN THE PRODUCT.

CUANDO SE UTILIZAN APARATOS ELÉCTRICOS, SIEMPRE SE DEBEN SEGUIR PRECAUCIONES BÁSICAS DE SEGURIDAD, INCLUYENDO LAS SIGUIENTES:

1. Lea todas las instrucciones antes de utilizar este producto.
2.  No toque las superficies calientes, utilice las asas.
3. A fin de protegerse contra una descarga eléctrica, no sumerja el cuerpo del aparato, el cable ni el enchufe en agua ni en ningún otro líquido.
4. Este aparato no debe ser utilizado por niños. Mantenga el aparato y su cable fuera del alcance de niños. Los niños no deben jugar con el aparato. Los aparatos pueden ser utilizados por personas con discapacidades físicas, sensoriales o mentales o sin experiencia ni conocimientos o instrucciones relativas al uso seguro del aparato y comprenden los riesgos que implica.
5. Desenchufe el aparato del tomacorriente cuando no esté en uso y antes de limpiarlo. Espere a que el aparato se enfríe antes de instalarle o retirarle piezas y antes de limpiarlo.
6. No utilice un producto que tenga un cables o enchufes dañado o después de presentar un problema de funcionamiento, o que se haya dañado de manera alguna. Devuelva el aparato al centro de servicio autorizado de Oster para que lo examinen, reparen o ajusten.
7. El uso de accesorios no recomendados por el fabricante del producto podría ocasionar lesiones.
8. No utilice el aparato a la intemperie.
9. No permita que el cable cuelgue del borde de la mesa o del mostrador ni que entre en contacto con superficies calientes. No coloque sobre o cerca de una hornilla de gas o eléctrica ni en un horno caliente.
10. Proceda con extrema precaución al mover de un lugar a otro un aparato que contenga aceite u otros líquidos calientes.
11. No utilice el aparato para otro fin que no sea para el que ha sido diseñado.
12. Tenga cuidado al abrir la tapa durante o después de un ciclo de cocción. El escape de vapor y el derrame de comida puede causar quemaduras.
13.  Vapor caliente es liberado del aparato mientras se está friendo por aire. Mantenga sus manos y rostro a una distancia segura de la salida de aire.
14. No use el aparato para otro uso que no sea el previsto. El mal uso puede causar lesiones.
15. Este aparato está destinado solo para el uso doméstico en hogares, para el uso de huéspedes en habitaciones de hotel, para grandes casas de campo, para cocinas y comedores en lugares de trabajo, oficinas y tiendas. Mantenga 6 pulgadas (152 mm) despejadas de la pared y de todos los lados. Siempre use el electrodoméstico en una superficie seca, estable y nivelada.
16. Nunca opere el producto por medio de un temporizador externo o un sistema de control remoto por separado.
17. No mueva ni cubra la freidora de aire mientras esté en funcionamiento.

**GUARDA ESTAS INSTRUCCIONES
ESTA UNIDAD ESTÁ DISEÑADA PARA
USO DOMÉSTICO ÚNICAMENTE.**

Modelos con enchufes polarizados



ENCHUFE POLARIZADO

Este electrodoméstico tiene un enchufe polarizado (un contacto es más ancho que el otro). Para reducir el riesgo de descargas eléctricas, como una función de seguridad, este enchufe está diseñado para encajar en un tomacorriente polarizado solo de una forma. Si el enchufe no se inserta completamente en el tomacorriente, invierta el enchufe. Si aún no encaja, consulte a un electricista calificado. No intente ignorar esta medida de seguridad ni modificar el enchufe en forma alguna. Si el enchufe se inserta holgadamente en el tomacorriente de corriente alterna o si el tomacorriente de corriente alterna se siente caliente, no use ese tomacorriente.

INSTRUCCIONES DEL CABLE ELÉCTRICO:

Se proporciona un cable corto de suministro de energía o un cable de electricidad que se desconecta para reducir los riesgos que resultan al enredarse o tropezarse con un cable más largo. Se encuentran disponibles cordones de extensión o cables eléctricos desmontables más largos que pueden usarse si se tiene cuidado. Si se usa un cable de extensión o un cable de desconexión inmediata:

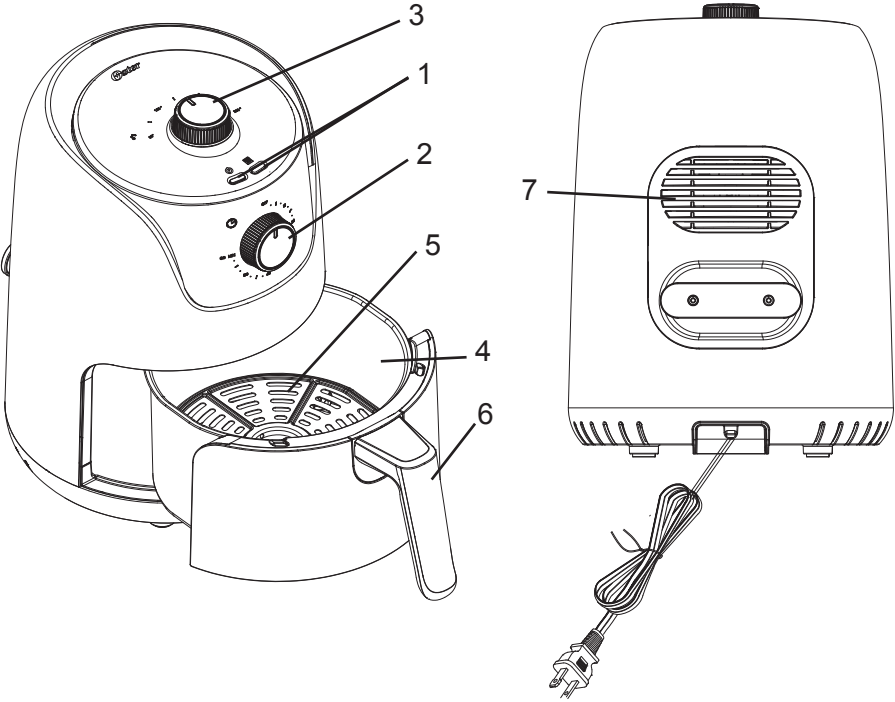
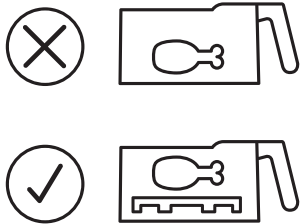
- La calificación eléctrica marcada del juego de cables o del cable de extensión debe ser al menos tan alta como la clasificación eléctrica del aparato;
- El cable debe colocarse de modo que no cuelgue del tope o de la mesa donde los niños puedan tirar de él o tropezarse involuntariamente; y
- Si el electrodoméstico es de tipo con conexión a tierra, el juego de cables o el cable de extensión deben ser un cable de 3 hilos con conexión a tierra.

No hale, ni tuerza, ni abuse del cable eléctrico.

NOTAS

- Algunas superficies de tope y mesas no están diseñadas para soportar el calor prolongado generado por ciertos electrodomésticos. No coloque la unidad calentada sobre una mesa de madera. Recomendamos colocar un protector térmico o un trébede debajo de su artefacto para evitar posibles daños a la superficie.
- Durante el uso inicial de este aparato, puede detectarse un poco de humo y / u olor. Esto es normal y debería desaparecer después de algunos usos.

Para asegurarse de que los alimentos se cocinen correctamente, coloque la rejilla de cocción en la canasta de cocción. No utilice la Freidora de Aire sin la rejilla de cocción.



- | | |
|---|---|
| 1. Indicador de Encendido y de Funcionamiento | 4. Bandeja de cocción |
| 2. Perilla de control de tiempo | 5. Rejilla de cocción extraíble |
| 3. Perilla de control de temperatura | 6. Manilla |
| | 7. Protección del ventilador de calefacción |

▲ Nunca sumerja ninguna parte del cuerpo, del cable de poder o del enchufe de la Freidora de Aire en agua o cualquier otro líquido. Antes de ensamblar o desensamblar tu Freidora de Aire, asegure que este desenchufada y que todas las partes estén frías.

Desempaque el aparato y remueva todo el empaque, materiales promocionales y stickers. Remueva todos los documentos impresos. Antes del primer uso, lave la canasta de cocción interna y la rejilla de cocción con agua y jabón tibia y seque. Cubra ligeramente toda la superficie de cocción con aceite de cocina. Encienda el aparato y caliéntelo hasta que alcance el máximo calor. Apague y enfríe por completo. Limpie el aceite en exceso con agua caliente sin frotar. Seque la superficie con un paño seco. Ahora la Freidora de Aire está listo para ser usado.

guía de aceites

Utilizando tu Freidora de Aire para cocinar podrás reducir la cantidad de aceite necesaria en varias recetas, lo cual puede beneficiar tu dieta.

La tabla a continuación lista algunos de los aceites más comunes. Todos ellos pueden ser utilizados en tu freidora de aire. Sin embargo, para óptimos resultados recomendamos Aceite vegetal o de colza.

Tipo de aceite	usar
Aceite Vegetal	Freír, saltear y sofreír
Aceite de Colza (comúnmente llamado aceite vegetal)	Freír, saltear y sofreír
Aceite de Maíz	Freír, saltear y sofreír
Aceite de Maravilla	Freír, saltear y sofreír
Aceite de Oliva	Freír, saltear y sofreír. Marinados y aderezos.
Aceite de sésamo	Freír, saltear y sofreír. Marinados y aderezos.
Aceite de Maní	Freír, saltear y sofreír. Aderezos. Agregar un sabor a frutos secos.
Aceite de Pepita de Uva	Freír, saltear y sofreír

Tu freidora de Aire puede ser usada para cocinar comida congelada o fresca. Siempre asegúrate que los ingredientes este untados en aceite de manera homogénea. Este aparato no está diseñado para cocinar palomitas de maíz.

1. Enchufa la freidora de aire en la salida de corriente.
2. Gira la perilla de control de temperatura a la posición deseada.
3. Para encender la Freidora de Aire, gira la perilla de control de tiempo a la posición deseada. Las luces de encendido y de funcionamiento se encenderán.
Nota: Para obtener los mejores resultados, adiciona 3 a 5 minutos para precalentar antes de colocar la comida en la Freidora de Aire.
4. Usa la manilla para retirar la bandeja de cocción de la Freidora de Aire. Asegúrese de que la rejilla de cocción esté correctamente colocada y pon la comida en la canasta de cocción. Vuelva a colocar la bandeja de cocción en la freidora de aire de manera correcta. Si la bandeja no ha sido insertada de manera correcta, el electrodoméstico no funcionará.
5. Para asegurar que la comida quede crocante, algunas preparaciones requieren mover la bandeja a la mitad del proceso de cocción. Para hacer esto, quite la bandeja de cocción del electrodoméstico por la manilla y sacuda la comida. Luego vuelva a colocar la bandeja dentro de la freidora de aire y continúe cocinando.
Nota: La rejilla de cocción removible puede moverse fuera de lugar al agitar/revolver alimentos en la canasta. Asegúrese de que la rejilla de cocción esté en la posición correcta antes de devolver la cesta a la freidora de aire para continuar cocinando.
6. Cuando escuches la campanilla de el temporizador, el tiempo de cocción seleccionado ha finalizado. Tire la bandeja de cocción hasta retirarla del electrodoméstico y posicónela en una superficie resistente al calor. revise si es que la comida esta lista. Si no lo está, simplemente vuelva a ponerla en la freidora de aire y configure el tiempo de cocción ha unos minutos extra.
7. Cuando la comida esté lista, retire con cuidado la canasta de cocción de la freidora de aire y vacíe la comida en un contenedor adecuado. Tenga cuidado de que la rejilla de cocción no se suelte. Para alimentos más grandes o delicados, use pinzas para levantar la comida fuera de la canasta.
8. No utilice utensilios metalicos para retirar residuos de alimentos de la bandeja de cocción.
9. Utilice utensilios no metalicos que soporten el calor para retirar los alimentos de la bandeja de cocción removible.

La siguiente tabla provee guías básicas para cocinar comidas congeladas y comidas comunes. Por favor note que dadas las variaciones de grosor y tamaño de las comidas cocinadas algo de prueba y error puede ser necesario para los mejores resultados de cocción. Siempre asegure que la comida este completamente cocinada, por seguridad, antes de consumirla.

Nota: Para resultados más crocantes es recomendado que sacudas la canasta de la freidora 1 a 2 veces a través del ciclo de cocción.

Tipo de Comida	Tiempo de Cocción (mins)	Temperatura de Cocción (Grados C)	Notas	Cucharadas de aceite
1/2 kilo de papas fritas congeladas	18-20	200	Retire la bandeja y mueva la canasta periódicamente	-
1/4 kilo de papas fritas congeladas	12-16	200	Retire la bandeja y mueva la canasta periódicamente	-
1/4 kilo de papas duquesas congeladas	12-16	200	Posicione en la bandeja en una capa uniforme	-
1/4 kilo de palos de queso congeladas	8-10	200	Posicione en la bandeja en una capa uniforme	-
400 gramos de papas con cascara congeladas	8-10	200	Cubra ligeramente la canasta con aceite	1
Pizza congelada	6-8	200		-
Hamburguesa de pavo congelada	10-12 cocción a 3/4 13-15 bien cocida	200	Gire una vez	-
Hamburguesa de res congelada	8-10 cocción a 3/4 11-13 bien cocida	200	Gire una vez	-
Nuggets de pollo congelados		200	Posicione en la bandeja en una capa uniforme	-
Pechuga de pollo fresca	16-20	200	Lave y seque antes de cocinar	1
Muslo de pollo fresca	20-25	200	Lave y seque antes de cocinar	1

Siempre desconecte su Freidora de Aire y permita que se enfríe completamente antes de limpiarla. Nunca sumerja el cuerpo principal, el cable eléctrico o el enchufe en agua o en ningún otro líquido. Nunca use limpiadores o utensilios de limpieza abrasivos.

- Cuidadosamente limpie cualquier salpicadura de aceite de la guarda del ventilador de calefacción con papel toalla. Limpie sobre el cuerpo externo con una toalla limpia y ligeramente húmeda.
- Lave la canasta removible de cocción, bandeja de cocción y la manilla con agua jabonosa usando una toalla, esponja o utensilio no abrasivo. Seque completamente antes de usar o guardar.

Cualquier ajuste o arreglo tendrá que ser llevado a cabo en el centro de servicio técnico autorizado de Oster. Vea tarjeta de garantía adjunta en el empaque para Latino América.

garantía

En Norte América

Sunbeam Products, Inc. o en Canadá, Newell Brands Canada ULC (en forma conjunta, Sunbeam), garantiza que por un período de un año a partir de la fecha de compra, este producto estará libre de defectos de materiales y mano de obra. Sunbeam, a su elección, reparará o reemplazará este producto o cualquier componente del mismo que presente defectos durante el período de garantía. El reemplazo se realizará por un producto o componente nuevo o reparado. Si el producto ya no estuviera disponible, se lo reemplazará por un producto similar de valor igual o superior. Esta es su garantía exclusiva. NO intente reparar o ajustar ninguna función eléctrica o mecánica de este producto. Al hacerlo anulará esta garantía.

Esta garantía es válida para el comprador minorista original a partir de la fecha de compra inicial y la misma no es transferible. Conserve el recibo de compra original. Para solicitar servicio en garantía se requiere presentar un recibo de compra. Los agentes y centros de servicio de Sunbeam o las tiendas minoristas que venden productos de Sunbeam no tienen derecho a alterar, modificar ni cambiar de ninguna manera los términos y las condiciones de esta garantía.

Esta garantía no cubre el desgaste normal de las piezas ni los daños que se produzcan como resultado de lo siguiente: uso negligente o mal uso del producto, uso de voltaje incorrecto o corriente inapropiada, uso contrario a las instrucciones de operación, desensamble, reparación o alteración por parte de un tercero ajeno a Sunbeam o a un Centro de Servicio autorizado por Sunbeam. Asimismo, la garantía no cubre: actos fortuitos tales como incendios, inundaciones, huracanes y tornados.

¿Cuáles son los límites de responsabilidad de Sunbeam?

Sunbeam no será responsable de daños incidentales o emergentes causados por el incumplimiento de alguna garantía o condición expresa, implícita o legal.

Excepto en la medida en que lo prohíba la ley aplicable, cualquier garantía o condición implícita de comerciabilidad o aptitud para un fin determinado se limita, en cuanto a su duración, al plazo de la garantía antes mencionada.

Sunbeam queda exenta de todas otras garantías, condiciones o manifestaciones, expresa, implícita, legal o de cualquier otra naturaleza.

Sunbeam no será responsable de ningún tipo de daño que resulte de la compra, uso o mal uso del producto, o por la imposibilidad de usar el producto, incluyendo los daños incidentales, especiales, emergentes o similares, o la pérdida de ganancias, ni de ningún incumplimiento contractual, sea de una obligación esencial o de otra naturaleza, ni de ningún reclamo iniciado contra el comprador por un tercero.

Algunas provincias, estados o jurisdicciones no permiten la exclusión o limitación de los daños incidentales o emergentes ni las limitaciones a la duración de las garantías implícitas, de modo que es posible que la exclusión o las limitaciones antes mencionadas no se apliquen en su caso.

Esta garantía le otorga derechos legales específicos y es posible que usted tenga otros derechos que varían de provincia a provincia, estado a estado, o jurisdicción a jurisdicción.

Cómo solicitar el servicio de garantía

En los Estados Unidos

Si tiene alguna pregunta sobre esta garantía o desea recibir servicio de garantía, por favor llame al 1-800-334-0759 y podrá obtener la dirección del centro de servicio que le resulte más conveniente.

En Canadá

Si tiene alguna pregunta sobre esta garantía o desea recibir servicio de garantía, por favor llame al 1-800-667-8623 y podrá obtener la dirección del centro de servicio que le resulte más conveniente.

En los Estados Unidos, esta garantía es ofrecida por Sunbeam Products, Inc., localizada en Boca Ratón, Florida 33431. En Canadá, esta garantía es ofrecida por Newell Brands Canada ULC, localizada en 20B Hereford Street, Brampton, Ontario L6Y 0M1. Si usted tiene cualquier otro problema o reclamo en conexión con este producto, por favor escriba al Departamento de Servicio al Consumidor.

POR FAVOR NO DEVUELVA ESTE PRODUCTO A NINGUNA DE ESTAS DIRECCIONES NI AL LUGAR DE COMPRA.